

TERMINAL FOR 6740 HOUSING



6747 & 6748 SERIES. 4.20 (.165") Diameter Crimp Terminal.

Features

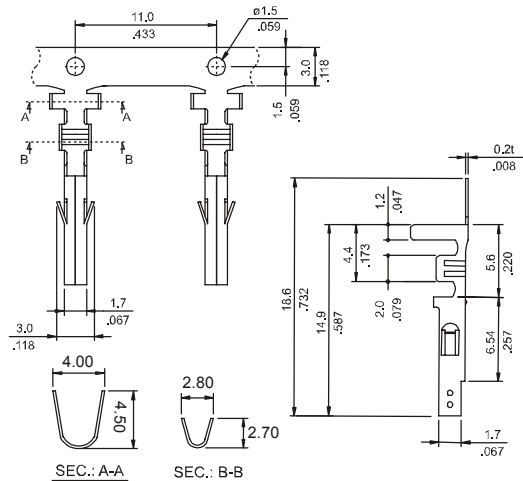
- Lateral Carrier
- Material: Tin-plated brass
- Current Rating: 9 A maximum
- Contact Resistance: 10 milliohms.
- Wire Ranges: AWG 16
- Insertion force: 0.7 Kgs.
- Pin disconnection force: 0.5 Kgs.

Dimensional Information

Ordering and Dimensional Information

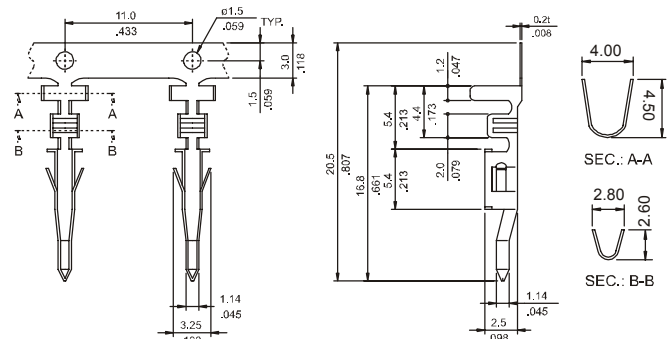
| Type | Part Number | Material | Wire Ranges | Reel Quantity |
|--------|-------------|-------------------|-------------|------------------|
| Male | 6747 - 2000 | Brass, Tin Plated | AWG 16 | 4,000 Pcs (Reel) |
| Male | 6747 - 2001 | Brass, Tin Plated | AWG 16 | Loose Piece |
| Female | 6748 - 2000 | Brass, Tin Plated | AWG 16 | 4,000 Pcs (Reel) |
| Female | 6748 - 2001 | Brass, Tin Plated | AWG 16 | Loose Piece |
| Male | 6747 - 2010 | Phosphor Bronze | AWG 16 | 4,000 Pcs (Reel) |
| Male | 6747 - 2011 | Phosphor Bronze | AWG 16 | Loose Piece |
| Female | 6748 - 2010 | Phosphor Bronze | AWG 16 | 4,000 Pcs (Reel) |
| Female | 6748 - 2011 | Phosphor Bronze | AWG 16 | Loose Piece |

Female Terminal



For Female connectors series: 6739 y 6740

Male Terminal



For Male connector series: 6739 y 6740