

# TERMINAL FOR 6740 HOUSING

## 6743 & 6744 SERIES. 4.20 (.165") Diameter Crimp Terminal.

### Features

- Lateral Carrier
- Material: Tin-plated brass
- Current Rating: 9 A maximum
- Contact Resistance: 10 milliohms.
- Wire Ranges: AWG 18 - 22
- Insertion force: 0.7 Kgs.
- Pin disconnection force: 0. 5 Kgs.

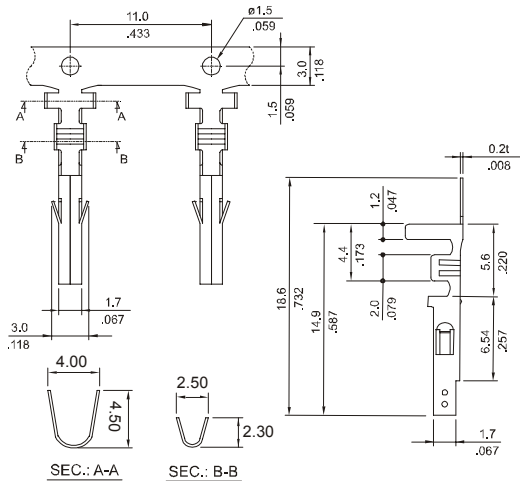
### Dimensional Information

### Ordering and Dimensional Information

Type	Part Number	Material	Wire Ranges	Reel Quantity
Male	<b>6743 - 2000</b>	Brass, Tin Plated	AWG 18 - 22	4,000 Pcs (Reel)
Male	<b>6743 - 2001</b>	Brass, Tin Plated	AWG 18 - 22	Loose Piece
Female	<b>6744 - 2000</b>	Brass, Tin Plated	AWG 18 - 22	4,000 Pcs (Reel)
Female	<b>6744 - 2001</b>	Brass, Tin Plated	AWG 18 - 22	Loose Piece
Male	<b>6743 - 2010*(1)</b>	Phosphor Bronze	AWG 18 - 22	4,000 Pcs (Reel)
Male	<b>6743 - 2011</b>	Phosphor Bronze	AWG 18 - 22	Loose Piece
Female	<b>6744 - 2010*(2)</b>	Phosphor Bronze	AWG 18 - 22	4,000 Pcs (Reel)
Female	<b>6744 - 2011</b>	Phosphor Bronze	AWG 18 - 22	Loose Piece

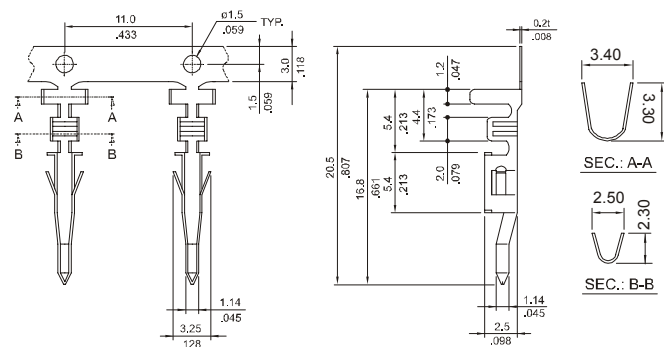
(1) Available in gold flash plating. Part Number: **6743 - 3010**  
 (2) Available in gold flash plating. Part Number: **6744 - 3010**

### Female Terminal



For Female connectors series: 6739 y 6740

### Male Terminal



For Male connector series: 6739 y 6740