

CRIMP TERMINAL



1163 SERIES. 1.25 mm. (0.049") Pitch housing

General Features

- Accommodates wire range AWG 28 through 32
- Use in housing 1.25 mm pitch 1165 and 1166 series
- Tin plated box contact with locking lance
- Maximum insulation diameter 1.00 mm (0.039")

Materials

- Contact: Phosphor bronze
- Operating temperature -25°C to +85°C

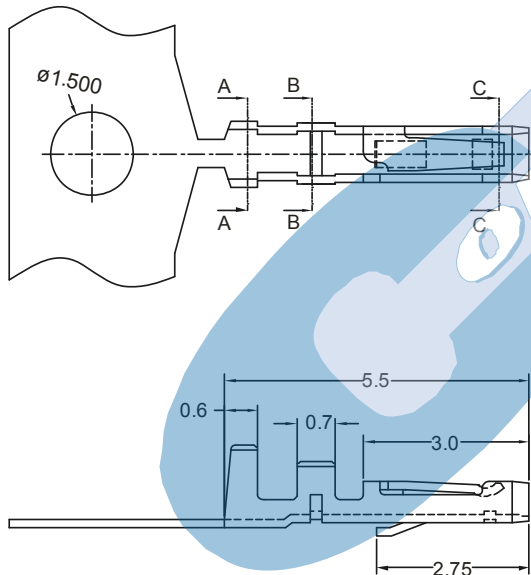
Dimensional Information

Electrical Features

- Current rating: < 1 A
- Contact resistance: < 20 mΩ

Mechanical Features

- Durability: 25 cycles
- Wire pull-out force:
 - 1.30 Kg 28 AWG
 - 1.00 Kg 30 AWG
 - 0.50 Kg 32 AWG



1163 - 2- 00- E
1 2

1. Terminal Serie

2. (E) Packing Options

- E = 0. Chain
- E = 1. Loose piece

