

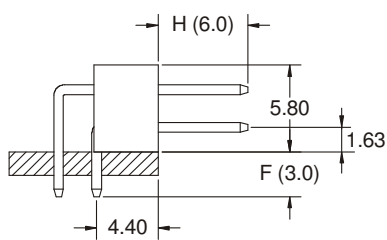
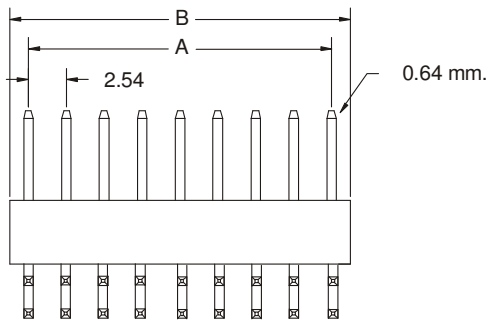
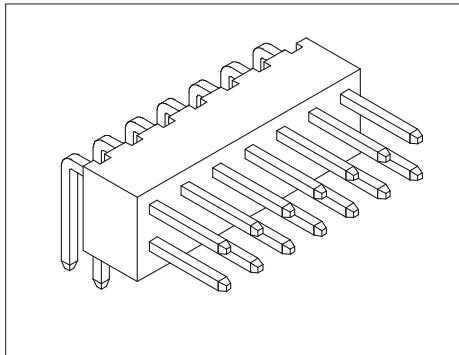
# DUAL ROW RIGHT ANGLE HEADER

## 2583 SERIES 2.54 mm (0.100") For PCB solder

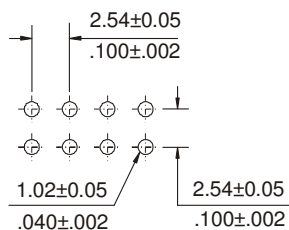
### Features

- Available in 4 through 80 circuits
- Mates with dual row 2.54 mm
- Insulator Material : PBT UL 94V-0
- Contact Material: Brass with different plating options
- 0.64 mm square pin
- Without polarisation
- For other options consult the Sales Office

### Dimensional information:



### RECOMMENDED HOLE PATTERN



### Ordering and dimensional information:

| Circuit Size | Part Number | Dimensions   |               |
|--------------|-------------|--------------|---------------|
|              |             | A            | B             |
| 04           | 2583-T04C   | 2,54(0,100)  | 5,08(0,200)   |
| 06           | 2583-T06C   | 5,08(0,200)  | 7,62(0,300)   |
| 08           | 2583-T08C   | 7,62(0,300)  | 10,16(0,200)  |
| 10           | 2583-T10C   | 10,16(0,400) | 12,70(0,250)  |
| 12           | 2583-T12C   | 12,70(0,500) | 15,24(0,300)  |
| 14           | 2583-T14C   | 15,24(0,600) | 17,78(0,350)  |
| 16           | 2583-T16C   | 17,78(0,700) | 20,32(0,400)  |
| 18           | 2583-T18C   | 20,32(0,800) | 22,86(0,450)  |
| 20           | 2583-T20C   | 22,86(0,900) | 25,40(0,500)  |
| 22           | 2583-T22C   | 25,40(1,000) | 27,94(0,550)  |
| 24           | 2583-T24C   | 27,94(1,100) | 30,48(0,600)  |
| 26           | 2583-T26C   | 30,48(1,200) | 33,02(0,650)  |
| 28           | 2583-T28C   | 33,02(1,300) | 35,56(0,700)  |
| 30           | 2583-T30C   | 35,56(1,400) | 38,10(0,750)  |
| 32           | 2583-T32C   | 38,10(1,500) | 40,64(0,800)  |
| 34           | 2583-T34C   | 40,64(1,600) | 43,18(0,850)  |
| 36           | 2583-T36C   | 43,18(1,700) | 45,72(0,900)  |
| 38           | 2583-T38C   | 45,72(1,800) | 48,26(0,950)  |
| 40           | 2583-T40C   | 48,26(1,900) | 50,80(1,000)  |
| 42           | 2583-T42C   | 50,80(2,000) | 53,34(1,050)  |
| 44           | 2583-T44C   | 53,34(2,100) | 55,88(1,100)  |
| 46           | 2583-T46C   | 55,88(2,200) | 58,42(1,150)  |
| 48           | 2583-T48C   | 58,42(2,300) | 60,96(1,200)  |
| 50           | 2583-T50C   | 60,96(2,400) | 63,50(1,250)  |
| 52           | 2583-T52C   | 63,50(2,500) | 66,04(1,300)  |
| 54           | 2583-T54C   | 66,04(2,600) | 68,58(1,350)  |
| 56           | 2583-T56C   | 68,58(2,700) | 71,12(1,400)  |
| 58           | 2583-T58C   | 71,12(2,800) | 73,66(1,450)  |
| 60           | 2583-T60C   | 73,66(2,900) | 76,20(1,500)  |
| 62           | 2583-T62C   | 76,20(3,000) | 78,74(1,550)  |
| 64           | 2583-T64C   | 78,74(3,100) | 81,28(1,600)  |
| 66           | 2583-T66C   | 81,28(3,200) | 83,82(1,650)  |
| 68           | 2583-T68C   | 83,82(3,300) | 86,36(1,700)  |
| 70           | 2583-T70C   | 86,36(3,400) | 88,90(1,750)  |
| 72           | 2583-T72C   | 88,90(3,500) | 91,44(1,800)  |
| 74           | 2583-T74C   | 91,44(3,600) | 93,98(1,850)  |
| 76           | 2583-T76C   | 93,98(3,700) | 96,52(1,900)  |
| 78           | 2583-T78C   | 96,52(3,800) | 99,06(1,950)  |
| 80           | 2583-T80C   | 99,06(3,900) | 101,60(2,000) |

### T = Plating Options

- T = 2. Tin plated
- T = 3. Gold flash over 30-50µ" nickel overall
  - Recommended Finish
- T = 5. 15µ" gold over 30-50µ" nickel overall
- T = 6. 30µ" gold over 30-50µ" nickel overall

### C = Pin Dimension

- C = 1. Dim. H = 6.00 mm. Dim. F = 3.00 mm.
- C = 2. Dim. H = 8.00 mm. Dim. F = 2.50 mm.