

SINGLE ROW RIGHT ANGLE SMT HEADER

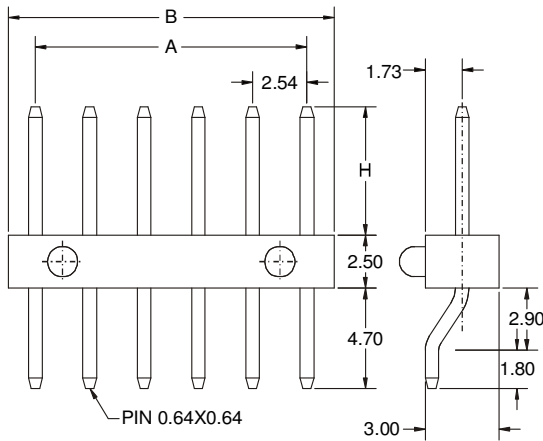
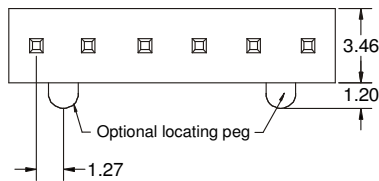
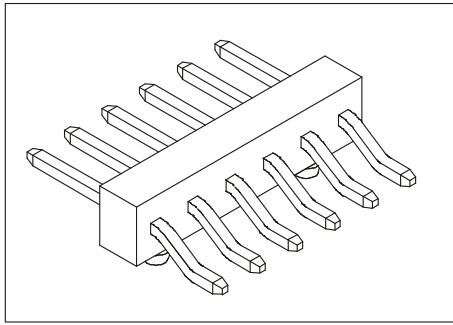


2589 SERIES. 2.54mm (0.100"). For PCB Solder

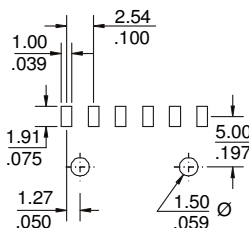
Features

- Available in 2 through 30 circuits
- Mates with 2.54mm (.100") single row sockets
- Insulator Material: Nylon 6-T UL 94V-0. Colour: Black
- 0.64mm (.025") square pin in copper alloy
- Different pin length and plating options are available
- Without polarisation
- Easy breakaway to desired circuit size
- For other options consult the Sales Office

Dimensional Information:



RECOMMENDED PCB LAYOUT



Ordering and Dimensional Information:

Circuit Size	Part Number	Dimension		
		A	B	C
02	2589-T02PCE	2,54(0,100)	5,08(0,200)	-
03	2589-T03PCE	5,08(0,200)	7,62(0,300)	2,54(0,100)
04	2589-T04PCE	7,62(0,300)	10,16(0,400)	5,08(0,200)
05	2589-T05PCE	10,16(0,400)	12,70(0,500)	7,62(0,300)
06	2589-T06PCE	12,70(0,500)	15,24(0,600)	10,16(0,400)
07	2589-T07PCE	15,24(0,600)	17,78(0,700)	12,70(0,500)
08	2589-T08PCE	17,78(0,700)	20,32(0,800)	15,24(0,600)
09	2589-T09PCE	20,32(0,800)	22,86(0,900)	17,78(0,700)
10	2589-T10PCE	22,86(0,900)	25,40(1,000)	20,32(0,800)
11	2589-T11PCE	25,40(1,000)	27,94(1,100)	22,86(0,900)
12	2589-T12PCE	27,94(1,100)	30,48(1,200)	25,40(1,000)
13	2589-T13PCE	30,48(1,200)	33,02(1,300)	27,94(1,100)
14	2589-T14PCE	33,02(1,300)	35,56(1,400)	30,48(1,200)
15	2589-T15PCE	35,56(1,400)	38,10(1,500)	33,02(1,300)
16	2589-T16PCE	38,10(1,500)	40,64(1,600)	35,56(1,400)
17	2589-T17PCE	40,64(1,600)	43,18(1,700)	38,10(1,500)
18	2589-T18PCE	43,18(1,700)	45,72(1,800)	40,64(1,600)
19	2589-T19PCE	45,72(1,800)	48,26(1,900)	43,18(1,700)
20	2589-T20PCE	48,26(1,900)	50,80(2,000)	45,72(1,800)
21	2589-T21PCE	50,80(2,000)	53,34(2,100)	48,26(1,900)
22	2589-T22PCE	53,34(2,100)	55,88(2,200)	50,80(2,000)
23	2589-T23PCE	55,88(2,200)	58,42(2,300)	53,34(2,100)
24	2589-T24PCE	58,42(2,300)	60,96(2,400)	55,88(2,200)
25	2589-T25PCE	60,96(2,400)	63,50(2,500)	58,42(2,300)
26	2589-T26PCE	63,50(2,500)	66,04(2,600)	60,96(2,400)
27	2589-T27PCE	66,04(2,600)	68,58(2,700)	63,50(2,500)
28	2589-T28PCE	68,58(2,700)	71,12(2,800)	66,04(2,600)
29	2589-T29PCE	71,12(2,800)	73,66(2,900)	68,58(2,700)
30	2589-T30PCE	73,66(2,900)	76,20(3,000)	71,12(2,800)

T = Contact Plating

- T = 2. Tin plated
- T = 3. Gold flash over 50µ" nickel
- T = 5. 15µ" gold over 50 µ" nickel
- T = 6. 30µ" gold over 50 µ" nickel
- T = 13. Selective gold flash over 50µ" nickel
Recommended Finish
- T = 15. 15µ" selective gold over 50µ" nickel
- T = 16. 30µ" selective gold over 50µ" nickel

C = Pin Length

- C = 1. H = 6.00mm
- C = 2. H = 10.00 mm.
- C = 3. H = 4.00 mm.
- C = 4. H = 9.10 mm.
- C = 5. H = 8.00 mm.

P = Locating Peg

- P = 1. Without Locating peg
- P = 2. With Locating peg

E = Packing Options

- E = 1. Tube + Plastic Pad
- E = 2. Reel + Plastic Pad