

CRIMP TERMINAL (AWG 20-24)

5741 & 5742 SERIES Crimp Terminals

Features

- Loose Piece and Reel Form
- Material: Phosphor Bronze
- Plating Options Available
- Current Rating: 5 Amps maximum
- Contact Resistance: 10 mΩ
- Wire Ranges: AWG 20 - 24
- Four Points of Contact
- Insulation Diameter: 2.50mm (.098") Maximum

Dimensional Information

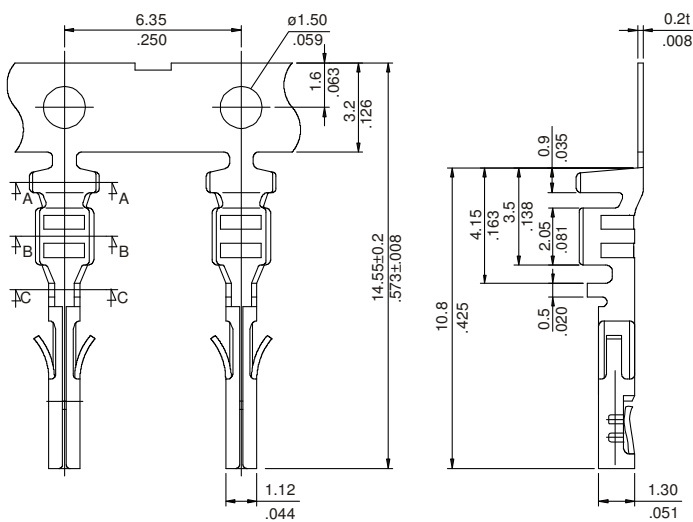
Ordering and Dimensional Information

| Type | Part Number | Material | Wire Ranges | Reel Quantity |
|--------|-------------|-----------------|-------------|-------------------|
| Male | 5741 - T000 | Phosphor Bronze | AWG 20 - 24 | 12,000 Pcs (Reel) |
| Male | 5741 - T001 | Phosphor Bronze | AWG 20 - 24 | Loose Piece |
| Female | 5742 - T000 | Phosphor Bronze | AWG 20 - 24 | 12,000 Pcs (Reel) |
| Female | 5742 - T001 | Phosphor Bronze | AWG 20 - 24 | Loose Piece |

T = Contact Plating

- T = 2 Tin Plated
Recommended Finish
- T = 3 Gold Flash over 50μ" Nickel
- T = 5 15μ" Gold over 50μ" Nickel
- T = 6 30μ" Gold over 50μ" Nickel

FEMALE TERMINAL



MALE TERMINAL

