

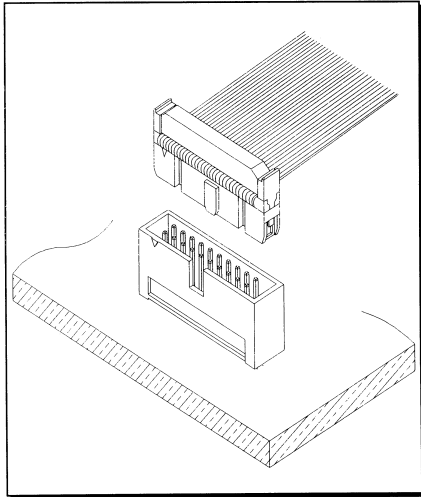
FEMALE IDC SOCKET

5440 SERIES 2.54 x 2.54mm (0.100 x 0.100") Centre Flat Cable

Features

- Available in 6, 8, 10, 12, 14, 16, 20, 24, 26, 30, 34, 36, 40, 44, 50, 56, 60, 62 and 64 circuits
- Insulator Material: Glass filled polyester UL 94V-0
- Contact Material: Phosphor bronze
- Different plating options are available
- Accepts 9127 series, 1.27mm flat ribbon cable
- Optional: Stain Relief (**5440 – 00XX** series)
- Optional: Moulding polarisation pegs (**5440 – 0001** series)

Dimensional Information

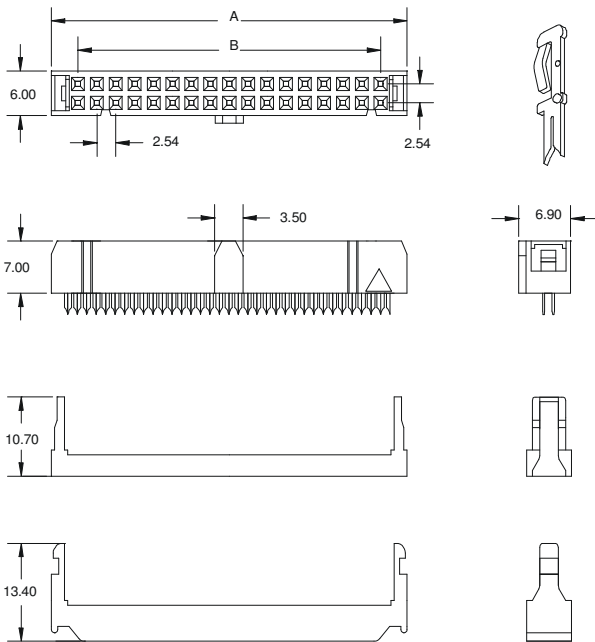


Ordering and Dimensional Information

Circuit Size	Part Number	Dimensions	
		A	B
06	5440-T060	12,18(0,479)	5,08(0,200)
08	5440-T080	14,72(0,579)	7,62(0,300)
10	5440-T100	17,26(0,679)	10,16(0,400)
12	5440-T120	19,80(0,779)	12,70(0,500)
14	5440-T140	22,34(0,879)	15,24(0,600)
16	5440-T160	24,88(0,979)	17,78(0,700)
20	5440-T200	29,96(1,179)	22,86(0,900)
24	5440-T240	35,04(1,379)	27,94(1,100)
26	5440-T260	37,58(1,479)	30,48(1,200)
30	5440-T300	42,66(1,679)	35,56(1,400)
34	5440-T340	47,74(1,879)	40,64(1,600)
36	5440-T360	50,28(1,879)	43,18(1,600)
40	5440-T400	55,36(2,179)	48,26(1,900)
44	5440-T440	60,44(2,379)	53,34(2,100)
50	5440-T500	68,06(2,679)	60,96(2,400)
56	5440-T560	75,68(2,979)	68,58(2,700)
60	5440-T600	80,76(3,179)	73,66(2,900)
62	5440-T620	83,30(3,279)	76,20(3,000)
64	5440-T640	85,84(3,379)	78,74(3,100)

T = Contact Plating

- T = 2. Tin plated
- T = 3. Gold flash over 50µ" nickel
Recommended Finish
- T = 5. 15µ" gold over 50µ" nickel
- T = 6. 30µ" gold over 50µ" nickel



Optional: Strain Relief

