

# MINI-SIZE CONNECTOR

## 5433 SERIES 2.54 x 1.50mm (0.100 x 0.060") Male On Wire Type

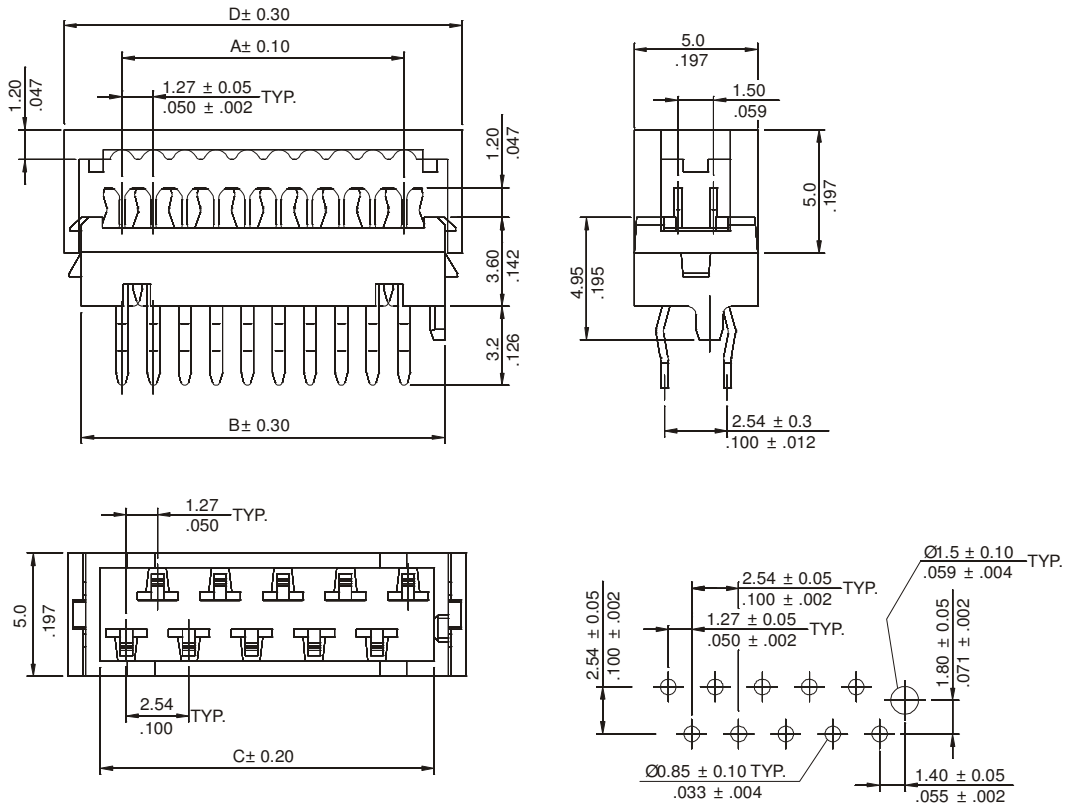
### Features

- Available in 4 to 26 circuits
- Contact Material: Phosphor bronze
- Insulator Material: Polyester UL 94V-0
- Accepts 1.27mm (0.50") center spacing flat
- Cable insulator O.D. 0.85 mm. diameter
- AWG #28(7/0.127mm.)
- Operating Temperature: -40°C to +105°C
- Current Rating: 1A DC

### Dimensional Information

### Ordering and Dimensional Information

Circuit Size	Part Number	Dimensions			
		A	B	C	D
4	5433-2041	3,81(0.150)	7,11(0.280)	5,91(0.233)	8,51(0.335)
6	5433-2061	6,35(0.250)	9,65(0.380)	8,45(0.333)	11,05(0.435)
8	5433-2081	8,89(0.350)	12,19(0.480)	10,99(0.433)	13,59(0.535)
10	5433-2101	11,43(0.450)	14,73(0.580)	13,53(0.533)	16,13(0.635)
12	5433-2121	13,97(0.550)	17,27(0.680)	16,07(0.633)	18,67(0.735)
14	5433-2141	16,51(0.650)	19,81(0.780)	18,61(0.733)	21,21(0.835)
16	5433-2161	19,05(0.750)	22,35(0.880)	21,15(0.833)	23,75(0.935)
18	5433-2181	21,59(0.850)	24,89(0.980)	23,69(0.933)	26,29(1.035)
20	5433-2201	24,13(0.950)	27,43(1.080)	26,23(1.033)	28,83(1.135)
22	5433-2221	26,67(1.050)	29,97(1.180)	28,77(1.133)	31,37(1.235)
24	5433-2241	29,21(1.150)	32,51(1.280)	31,31(1.233)	33,91(1.335)
26	5433-2261	31,75(1.250)	35,05(1.380)	33,85(1.333)	36,45(1.435)



Recommended P.C. Board Layout