

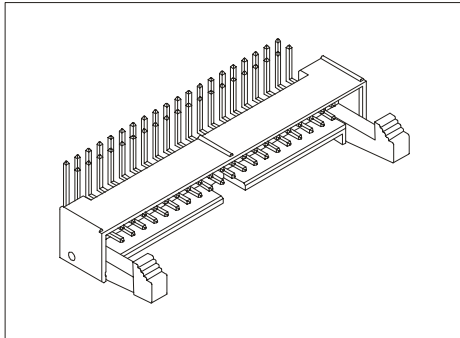
2.00mm RIGHT ANGLE SHROUDED HEADER

4440 SERIES 2.00 x 2.00mm (0.079 x 0.079") With Side Latches

Features

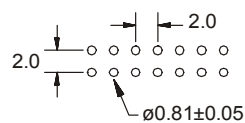
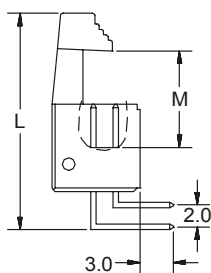
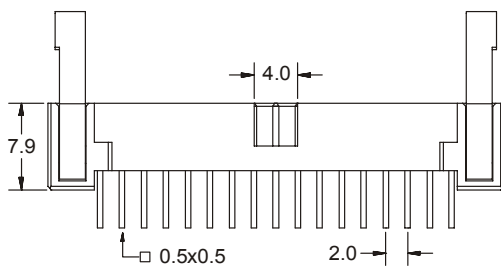
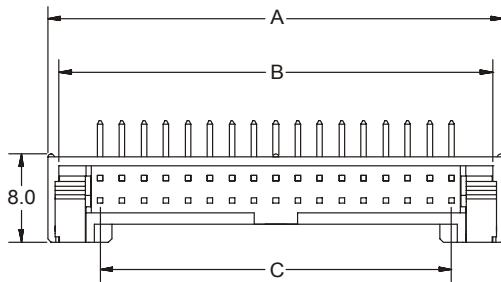
- Available in 10, 12, 14, 16, 20, 22, 24, 26, 30, 34, 40, 44, 48, 50 and 68 circuits
- Insulator Material: P.B.T UL 94V-0
- Contact Material: 0.50 mm square pin in copper alloy
- Mates with 2039 and 2040 series I.D.C connector
- Short and long latches available
- Fully shrouded. Provides fast connection / disconnection of Flat cable assembly

Dimensional Information



Ordering and Dimensional Information

Circuit Size	Part Number	Dimensions		
		A	B	C
10	4440-T10X	17.50 (0.689)	15.50 (0.610)	8.00 (0.315)
12	4440-T12X	19.50 (0.768)	17.50 (0.689)	10.00 (0.394)
14	4440-T14X	21.50 (0.846)	19.50 (0.768)	12.00 (0.472)
16	4440-T16X	23.50 (0.925)	21.50 (0.846)	14.00 (0.551)
20	4440-T20X	27.50 (1.082)	25.50 (1.003)	18.00 (0.709)
22	4440-T22X	29.50 (1.161)	27.50 (1.082)	20.00 (0.787)
24	4440-T24X	31.50 (1.240)	29.50 (1.161)	22.00 (0.866)
26	4440-T26X	33.50 (1.319)	31.50 (1.240)	24.00 (0.945)
30	4440-T30X	37.50 (1.476)	35.50 (1.397)	28.00 (1.102)
34	4440-T34X	41.50 (1.633)	39.50 (1.555)	32.00 (1.260)
40	4440-T40X	47.50 (1.870)	45.50 (1.791)	38.00 (1.496)
44	4440-T44X	51.50 (2.027)	49.50 (1.949)	42.00 (1.654)
48	4440-T48X	55.50 (2.185)	53.50 (2.106)	46.00 (1.811)
50	4440-T50X	57.50 (2.263)	55.50 (2.185)	48.00 (1.890)
68	4440-T68X	75.50 (2.972)	73.50 (2.894)	66.00 (2.598)



RECOMMENDED HOLE PATTERN

T = Contact Plating

- T = 2. Tin plated.
- T = 3. Gold flash over 50µ" nickel
Recommended Finish
- T = 5. 15µ" gold over 50µ" nickel
- T = 6. 30µ" gold over 50µ" nickel

X = Latch type

- X = 1. Short. For use without strain relief
- X = 2. Long. For use with strain relief

Latch Type	L	M
Long	19.0	11.6
Short	16.2	8.8