

CRIMP TERMINAL HOUSING

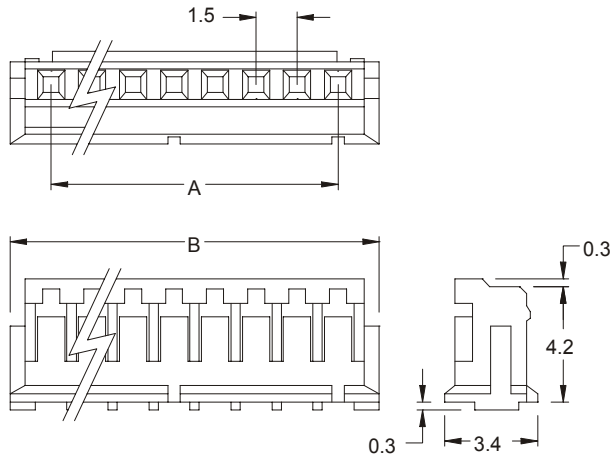


1570 SERIE 1.50 mm (0.059"). With Locking Ramp

Features

- Available in 2 through 13 circuits
- Material: Nylon 6/6 UL 94V-0
- Mates with 1573 serie
- Mates with 1571, 1572, 1575, 1576 and 1577 serie
- Low profil

Dimensional Information



Ordering and Dimensional Information

Circuit Size	Part Number	Dimensions	
		A	B
02	1570-2021	1,50(0,059)	4,50(0,177)
03	1570-2031	3,00(0,118)	6,00(0,236)
04	1570-2041	4,50(0,177)	7,50(0,295)
05	1570-2051	6,00(0,236)	9,00(0,354)
06	1570-2061	7,50(0,295)	10,50(0,413)
07	1570-2071	9,00(0,354)	12,00(0,472)
08	1570-2081	10,50(0,413)	13,50(0,531)
09	1570-2091	12,00(0,472)	15,00(0,591)
10	1570-2101	13,50(0,531)	16,50(0,650)
11	1570-2111	15,00(0,591)	18,00(0,709)
12	1570-2121	16,50(0,650)	19,50(0,768)
13	1570-2131	18,00(0,709)	21,00(0,827)

CRIMP TERMINAL MULTICONTACT



1573 SERIE. Side Carrier

Features

- Material : tinned phosphor bronze
- Wire range: AWG 28-32
- Mates with 1570 serie
- Insulation diameter maximum: 1.00 mm.
- Terminal multicontact
- Side carrier

Dimensional Information

Ordering and Dimensional Information

Type	Part Number	Material	Wire Ranges	Insulation Diameter
REEL	1573 - 2000	Phosphor bronze	28 - 32 AWG	1.00 mm. Max.
LOOSE PIECE	1573 - 2001	Phosphor bronze	28 - 32 AWG	1.00 mm. Max.

