

STRAIGHT POLARIZED HEADER

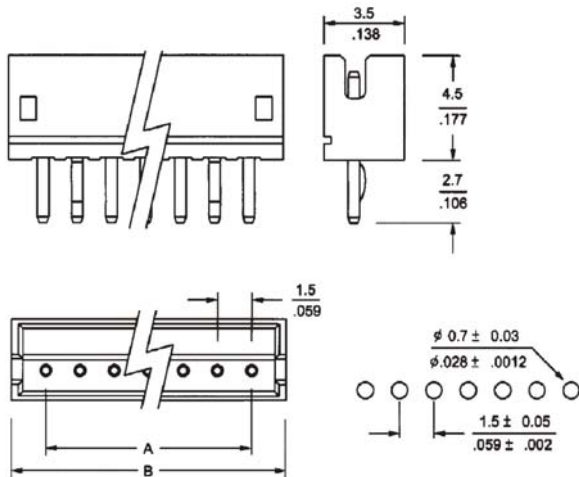


1571 SERIE 1.50 mm (0.059"). For PCB solder

Features

- Available in 2 through 13 circuits
- Insulator material: Nylon 6/6 UL 94V-0
- Tinned brass conductor
- Mates with 1570 serie
- Low profil

Dimensional Information



Ordering and Dimensional Information

Circuit Size	Part Number	Dimensions	
		A	B
02	1571-2021	1,50(0,059)	4,50(0,177)
03	1571-2031	3,00(0,118)	6,00(0,236)
04	1571-2041	4,50(0,177)	7,50(0,295)
05	1571-2051	6,00(0,236)	9,00(0,354)
06	1571-2061	7,50(0,295)	10,50(0,413)
07	1571-2071	9,00(0,354)	12,00(0,472)
08	1571-2081	10,50(0,413)	13,50(0,531)
09	1571-2091	12,00(0,472)	15,00(0,591)
10	1571-2101	13,50(0,531)	16,50(0,650)
11	1571-2111	15,00(0,591)	18,00(0,709)
12	1571-2121	16,50(0,650)	19,50(0,768)
13	1571-2131	18,00(0,709)	21,00(0,827)

RIGHT ANGLE POLARIZED HEADER

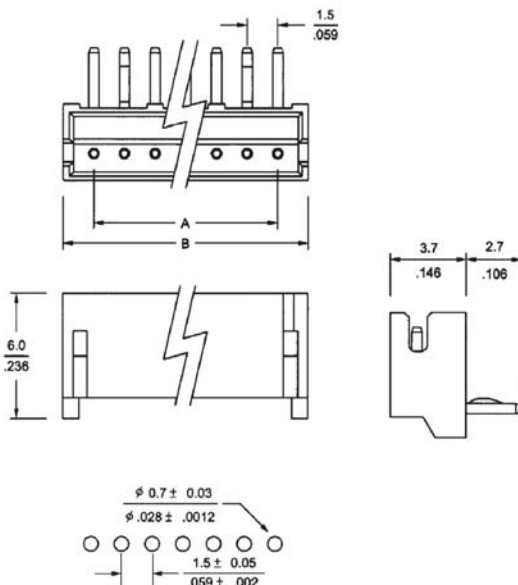


1572 SERIE 1.50 mm (0.059"). For PCB solder

Features

- Available in 2 through 13 circuits
- Insulator material: Nylon 6/6 UL 94V-0
- Tinned brass conductor
- Mates with 1570 serie
- Low profil

Dimensional Information



Ordering and Dimensional Information

Circuit Size	Part Number	Dimensions	
		A	B
02	1572-2021	1,50(0,059)	4,50(0,177)
03	1572-2031	3,00(0,118)	6,00(0,236)
04	1572-2041	4,50(0,177)	7,50(0,295)
05	1572-2051	6,00(0,236)	9,00(0,354)
06	1572-2061	7,50(0,295)	10,50(0,413)
07	1572-2071	9,00(0,354)	12,00(0,472)
08	1572-2081	10,50(0,413)	13,50(0,531)
09	1572-2091	12,00(0,472)	15,00(0,591)
10	1572-2101	13,50(0,531)	16,50(0,650)
11	1572-2111	15,00(0,591)	18,00(0,709)
12	1572-2121	16,50(0,650)	19,50(0,768)
13	1572-2131	18,00(0,709)	21,00(0,827)