

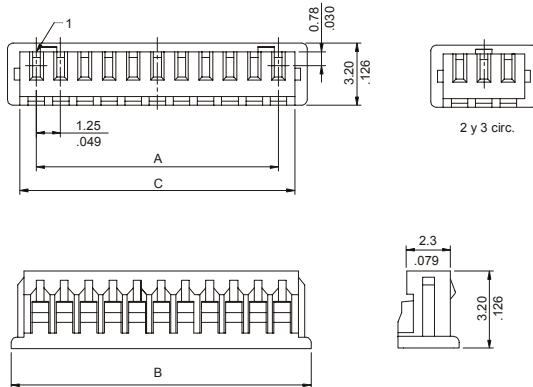
CRIMP TERMINAL HOUSING

1154 SERIES. 1.25 mm. (0.0492"). With Locking Ramp

Features

- Available in 2 through 15 circuits
- Material: PBT UL 94V-0
- With locking ramp molded
- Mates with 1155 serie
- Mates with 1156, 1157, 1158 and 1159 series
- Low profil

Dimensional Information:



Ordering and Dimensional Information:

Circuit Size	Part Number	Dimensions		
		A	B	C
2	1154-2021	1,25(0,049)	4,25(0,167)	2,95(0,116)
3	1154-2031	2,50(0,098)	5,50(0,217)	4,20(0,165)
4	1154-2041	3,75(0,148)	6,75(0,266)	5,45(0,215)
5	1154-2051	5,00(0,197)	8,00(0,315)	6,70(0,264)
6	1154-2061	6,25(0,246)	9,25(0,364)	7,95(0,313)
7	1154-2071	7,50(0,295)	10,50(0,413)	9,20(0,362)
8	1154-2081	8,75(0,344)	11,75(0,463)	10,45(0,411)
9	1154-2091	10,00(0,394)	13,00(0,512)	11,70(0,461)
10	1154-2101	11,25(0,443)	14,25(0,561)	12,95(0,510)
11	1154-2111	12,50(0,492)	15,50(0,610)	14,20(0,559)
12	1154-2121	13,75(0,541)	16,75(0,659)	15,45(0,608)
13	1154-2131	15,00(0,591)	18,00(0,709)	16,70(0,657)
14	1154-2141	16,25(0,640)	19,25(0,758)	17,95(0,707)
15	1154-2151	17,50(0,689)	20,50(0,807)	19,20(0,756)

CRIMP TERMINAL

1155 SERIES. Side Carrier

Features

- Material : finned phosphor bronze
- Wire range: AWG 28 through 32
- Mates with 1154 serie
- Maximum insulation diameter: 0.80 mm.
- Maximum voltage: 150 V
- Maximum current: 1 A
- Contact resistance: 20 mΩ máx.
- Side carrier

Dimensional information:

Ordering and dimensional information:

Type	Part Number	Material	Wire Ranges	Insulation Diameter
REEL	1155 - 2000	Phosphor bronze	28 - 32 AWG	0.80 mm. máx.
LOOSE PIECE	1155 - 2001	Phosphor bronze	28 - 32AWG	0.80 mm. máx.