

RIGHT ANGLE D-SUB RECEPTACLE SMT



8133 SERIES PCB Solder Low Profile

Features

- Available in 9 and 25 Circuits
- Insulator Material: Glass filled Nylon 6T UL 94V-0
- Contact Material: Gold Brass
- Different Plating Options are available
- Shell: Steel, Tin Plated as standard
- Standard Connector C = 1 (Riveted Ground Hooks with 4-40 UNC Thread)
- For other Options Consult the Sales Office

Dimensional Information

Ordering and Dimensional Information

Circuit Size	Part Number
9	8133 - T09C
25	8133 - T25C

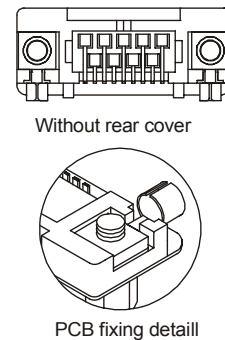
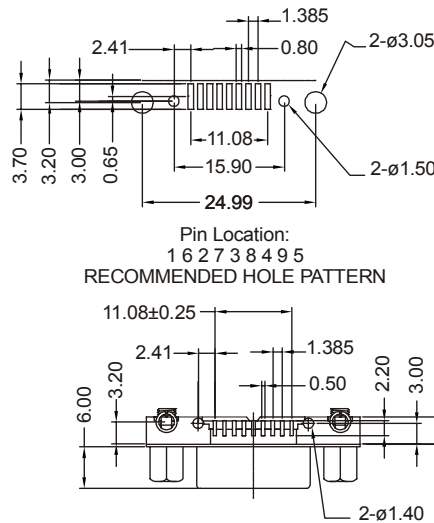
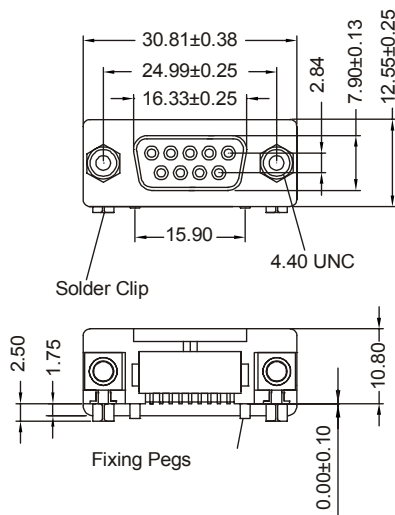
T = Contact Plating

- T = 3 Gold Flash over 50µ" Nickel
- T = 4 10µ" Gold over 50µ" Nickel
- T = 5 15µ" Gold over 50µ" Nickel
- T = 6 30µ" Gold over 50µ" Nickel

C = Hardware Options

- C = 1 Riveted Ground Hooks Pre-Loaded 4.40 UNC Hex Screws
- C = 0 Riveted Ground Hooks with 4.40 UNC Thread

9 CIRCUITS



25 CIRCUITS

