

CRIMP TYPE D-SUB PLUG



8002 SERIES Crimp Type D-Sub

Features

- Available in 9, 15, 25, 37 and 50 Circuits
- Insulator Material: Glass Filled Polyester UL 94V-0
- Contact Material: Brass
- Can be used with 8501 and 8503 Crimp Terminals
- Shell: Steel, tin plated as standard
- Optional: 4-40 UNC hexagonal standoff or clinch nuts
- Other options: Hoods, mounting screw and accessories
- For other options consult the Sales Office

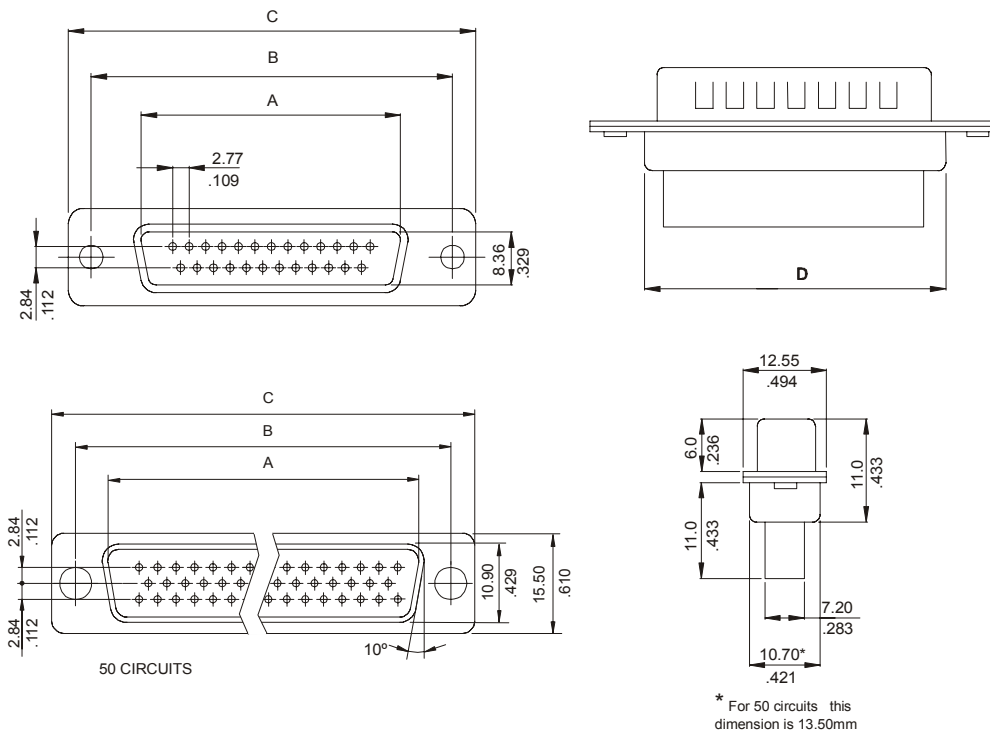
Dimensional Information

Ordering and Dimensional Information

Circuit Size	Part Number	Dimensions			
		A	B	C	D
9	8002 – 209C	16.92 (0.666)	24.99 (0.984)	30.81 (1.213)	19.23 (0.757)
15	8002 – 215C	25.25 (0.994)	33.32 (1.312)	39.14 (1.541)	27.56 (1.085)
25	8002 – 225C	38.96 (1.534)	47.04 (1.852)	53.04 (2.088)	41.28 (1.625)
37	8002 – 237C	55.42 (2.182)	63.50 (2.500)	69.32 (2.729)	57.73 (2.273)
50	8002 – 250C	52.81 (2.079)	61.11 (2.406)	66.93 (2.635)	55.12 (2.170)

C = Hardware Options

- C = 1. Standard with 3.05mm(.012") dia. mount hole
- C = 2. T2 Version
- C = 3. T4 Version
- C = 4. D2 Version



C = Hardware Options

