

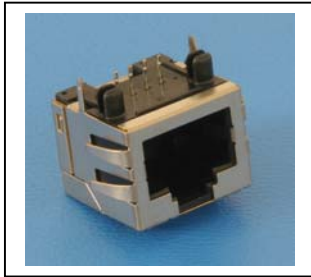
# RIGHT ANGLE JACK FCC-68

## SERIES 7657 For PCB solder Optional Shielding

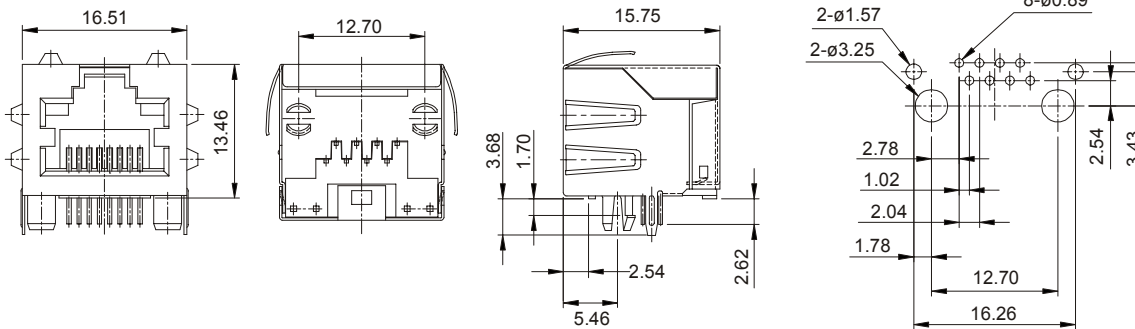
### Features

- Available in version: 8/8
- Mates with plug FCC-68
- Insulator Material: Polyester fibre Glass filled; UL94V-0
- With fixing pegs on PCB
- Contacts available in different platings
- Available with and w/o conductor line
- Shielding: Brass, 0,25 mm thick, Tin plated with grounding tap to PCB
- Contact Material: Phosphor Bronze square wire 0,35 mm; Gold plated

### Dimensional Information



#### Shielded Version



#### Unshielded Version

RECOMMENDED HOLE PATTERN

### Ordering and Dimensional Information

VERSIÓN	Part Number		
	Unshielded	Shielded	
8/8	-	W/O Groundig Tab	With Groundig Tab
10/10	7657 – T880	7657 – T881	7657 – T882
	7657 – T100	7657 – T101	7657 – T102

#### T = Platings of the Pins

- T = 5. 0.38  $\mu$  Gold over 1.27  $\mu$  Ni.
- T = 6. 0.75  $\mu$  Gold over 1.27  $\mu$  Ni.
- T = 7. 1.27  $\mu$  Gold over 1.27  $\mu$  Ni.

RECOMMENDED HOLE PATTERN