

TOP ENTRY PCB JACK FCC-68



7647 SERIES For PCB Solder

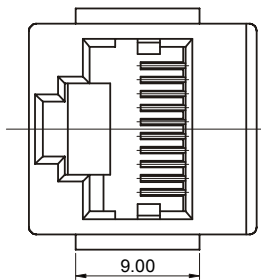
Features

- Available in 4/4, 6/4, 6/6, 8/8 and 10/10 circuits
- Mates with FCC-68 modular plugs
- Insulator Material: Glass filled polyester UL 94V-0
- Contacts: golden phosphor Bronze 0.35mm square
- Gold plating over nickel in Contact Area. Tin plating Over Nickel in Solder Area

Dimensional Information

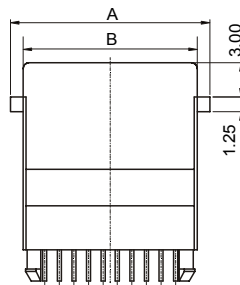
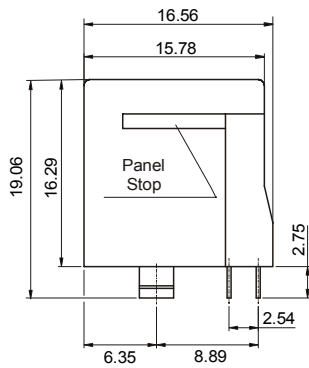
Ordering and Dimensional Information

Circuit Size	Part Number		Dimensions			
	W/O Panel Stop	With Panel Stop	A	B	C	D
4/4	7647 - T440	7647 - T441	13.97 (0.550)	11.43 (0.450)	7.62 (0.300)	3.81 (0.150)
6/4	7647 - T640	7647 - T641	16.00 (0.630)	13.46 (0.530)	10.16 (0.400)	6.35 (0.250)
6/6	7647 - T660	7647 - T661	16.00 (0.630)	13.46 (0.530)	10.16 (0.400)	6.35 (0.250)
8/8	7647 - T880	7647 - T881	17.50 (0.689)	15.26 (0.600)	11.43 (0.450)	8.89 (0.350)
10/10	7647 - T100	7647 - T101	17.50 (0.689)	15.26 (0.600)	11.43 (0.450)	11.43 (0.450)



T = Plating Options

- T = 4. 0.15 μ Gold over 1.27 μ Ni.
- T = 5. 0.38 μ Gold over 1.27 μ Ni.
- T = 6. 0.75 μ Gold over 1.27 μ Ni.
- T = 7. 1.27 μ Gold over 1.27 μ Ni.



RECOMMENDED HOLE PATTERN

