

LOW PROFILE PCB JACK SMT TYPE



7643 SERIES For PCB solder. Side Entry SMT Type PCB Jack

Features

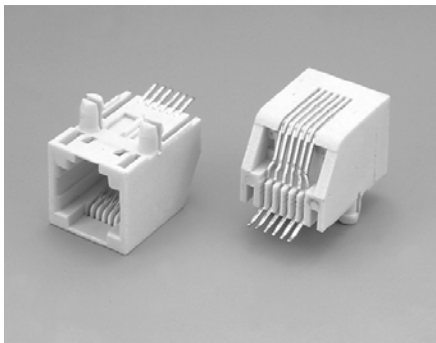
- Available in 6/2, 6/4, 6/6, 8/6 and 8/8 circuits
- Insulator Material: Glass filled polyester UL 94V-0
- Contacts: Golden phosphor bronze 0.35 mm thickness
- Available with or without panel stop
- Gold plating over nickel in Contact Area.
- Tin plating over nickel in Solder Area
- Mates with FCC-68 modular plugs
- Optional with Key

Dimensional Information

Ordering and Dimensional Information

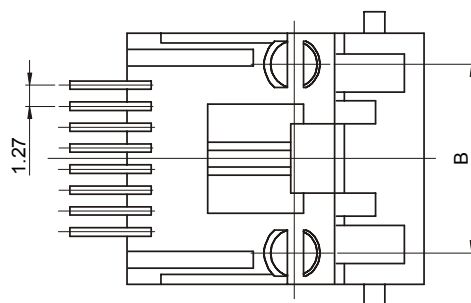
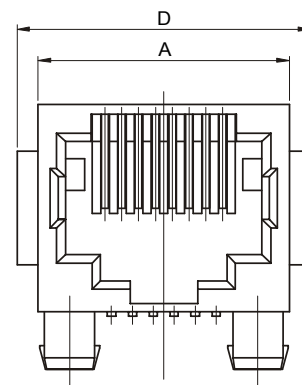
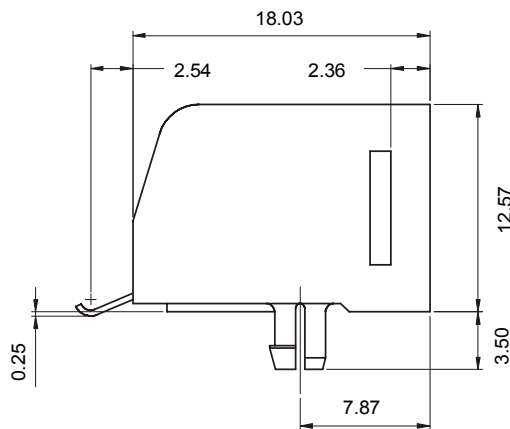
Circuit Size	Part Number		Dimensions			
	Without Flange	With Flange	A	B	C	D
6/2	7643 – T621	7643 – T622	13.21 (0.520)	10.16 (0.400)	1.27 (0.050)	15.74 (0.620)
6/4	7643 – T641	7643 – T642	13.21 (0.520)	10.16 (0.400)	3.81 (0.150)	15.74 (0.620)
6/6	7643 – T661	7643 – T662	13.21 (0.520)	10.16 (0.400)	6.35 (0.250)	15.74 (0.620)
8/6	7643 – T861	7643 – T862	15.24 (0.600)	11.43 (0.450)	6.35 (0.250)	17.78 (0.700)
8/8	7643 – T881	7643 – T882	15.24 (0.600)	11.43 (0.450)	8.89 (0.350)	17.78 (0.700)
8/8	7643 – T883*	7643 – T884*	15.24 (0.600)	11.43 (0.450)	8.89 (0.350)	17.78 (0.700)

* Jack with key



T = Contact Plating

- T = 4. 6 μ " gold over 50 μ " nickel
- T = 5. 15 μ " gold over 50 μ " nickel
- T = 6. 30 μ " gold over 50 μ " nickel
- T = 7. 50 μ " gold over 50 μ " nickel



RECOMMENDED PCB LAYOUT

