

# SHIELDED TOP ENTRY PCB JACK FCC-68

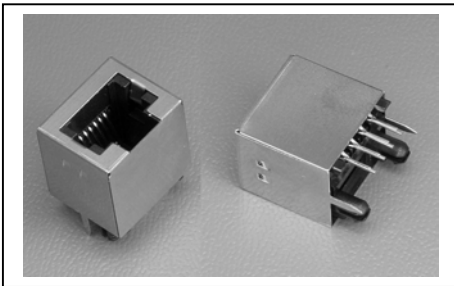
## 7638 SERIES For PCB Solder Shielded PCB Jack.

### Features

- Available in 8/4, 8/6 and 8/8 circuits
- Mates with FCC-68 modular plugs
- Insulator Material: Glass filled polyester UL 94V-0
- Contact: Square 0.35mm thickness
- Available 8/8 Cat. 5e
- Contacts: Golden phosphor bronze 0.35mm square
- Gold plating over nickel in Contact Area.  
Tin plating over nickel in Solder Area
- Shielded Material: Bronze with nickel plated
- Available with or without Panel Stop

### Dimensional Information

### Ordering and Dimensional Information

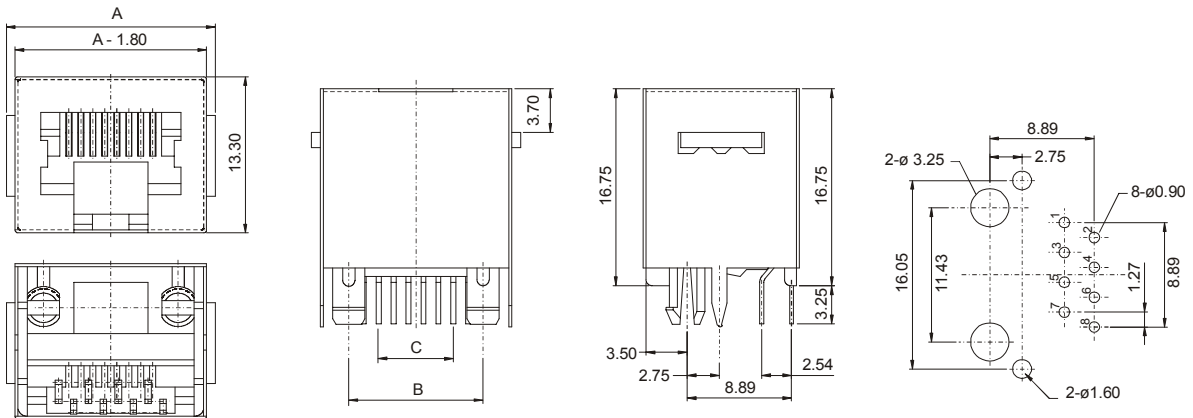


Version	Part Number		Dimensions		
	With Panel Stop	W/O panel Stop	A	B	C
8/4	7638 – T841	7638 – T842	15.40 (0.606)	11.43 (0.450)	3.81 (0.150)
8/6	7638 – T861	7638 – T862	15.40 (0.606)	11.43 (0.450)	6.35 (0.250)
8/8	7638 – T881	7638 – T882	15.40 (0.606)	11.43 (0.450)	8.89 (0.350)
CAT. 5e					
8/8	7638 – T885	7638 – T886	15.40 (0.606)	11.43 (0.450)	8.89 (0.350)

### T = Contact Plating

- T = 4. 6μ" gold over 50μ" nickel
- T = 5. 15μ" gold over 50μ" nickel
- T = 6. 30μ" gold over 50μ" nickel
- T = 7. 50μ" gold over 50μ" nickel

### Standar Version



### Version Cat. 5e

