

# TOP ENTRY PCB JACK FCC-68

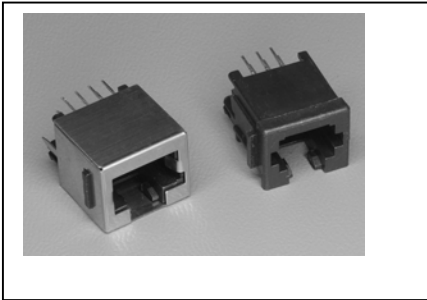


## 7637 SERIES For PCB Solder. Top Entry PCB Jack

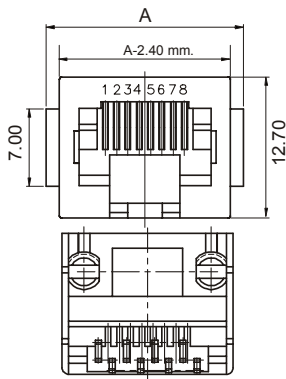
### Features

- Available in 6/4, 6/6 and 8/8 circuits
- Mates with FCC-68 modular plugs
- Insulator Material: Glass filled polyester UL 94V-0
- Contact: Square 0.35mm thickness
- Contacts: Golden phosphor bronze 0.35mm square
- Gold plating over nickel in Contact Area.
- Tin plating over nickel in Solder Area

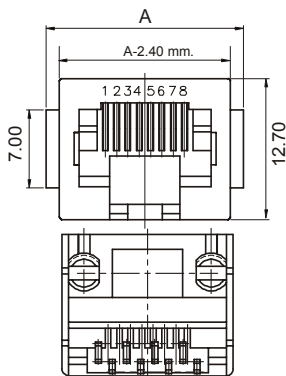
### Dimensional Information



Standard Version



5e CAT. Version

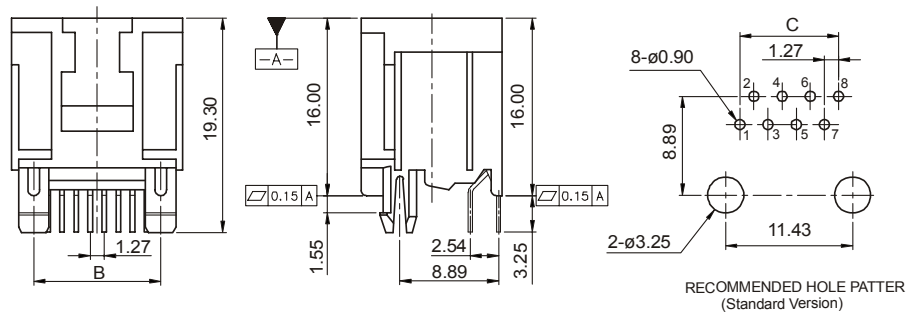


### Ordering and Dimensional Information

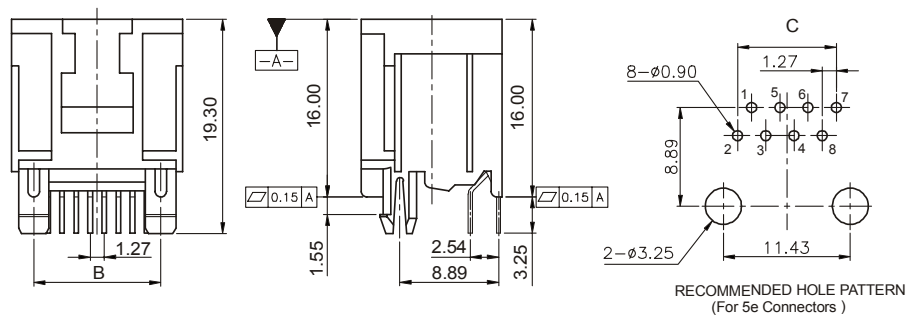
Circuit Size	Part Number		Dimensions		
	W/O Panel stop	With Panel stop	A	B	C
6/4	7637 – T640	7637 – T641	17.80 (0.700)	11.43 (0.450)	3.81 (0.150)
6/6	7637 – T660	7637 – T661	17.80 (0.700)	11.43 (0.450)	6.35 (0.250)
8/8	7637 – T880	7637 – T881	17.80 (0.700)	11.43 (0.450)	8.89 (0.350)
8/8 (Polar.)	7637 – T883	7637 – T882	17.80 (0.700)	11.43 (0.450)	8.89 (0.350)
8/8 cat 5e	7637 – T884	7637 – T885	17.80 (0.700)	11.43 (0.450)	8.89 (0.350)

### T = Contact Plating

- T = 4. 6 $\mu$ " gold over 50 $\mu$ " nickel
- T = 5. 15 $\mu$ " gold over 50 $\mu$ " nickel
- T = 6. 30 $\mu$ " gold over 50 $\mu$ " nickel
- T = 7. 50 $\mu$ " gold over 50 $\mu$ " nickel



RECOMMENDED HOLE PATTERN (Standard Version)



RECOMMENDED HOLE PATTERN (For 5e Connectors)