

VERTICAL PCB FCC-68 JACK

7621 SERIES For PCB Solder.

Features

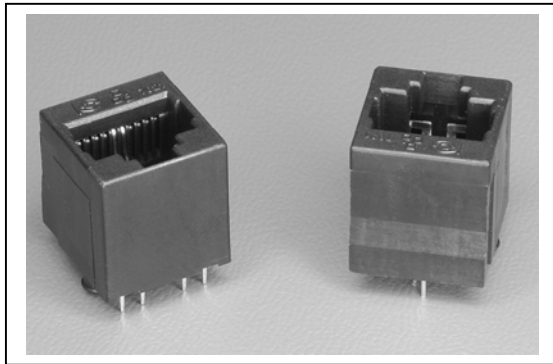
- Available in versions: 8/8 y 8/2
- Mates with plug FCC-68
- Housing Material: Polyester with fibre glass; UL 94V-0
- Contact Material: Phosphor Bronze select. Gold plated
- Contacts in wire of 0.35 mm thickness
- Available in different platings

- Insulation Resistance: 500 Megaohms. Mín.
- Available with and without panel stop
- Contact Resistance: 20 miliohms max.

Configuration of the bridges

- Without inserted plug (pins 1 + 2 closed, pins 3 + 4 closed)
- With inserted plug (pins 1 + 2 opens, pins 3 + 4 open)

Dimensional Information

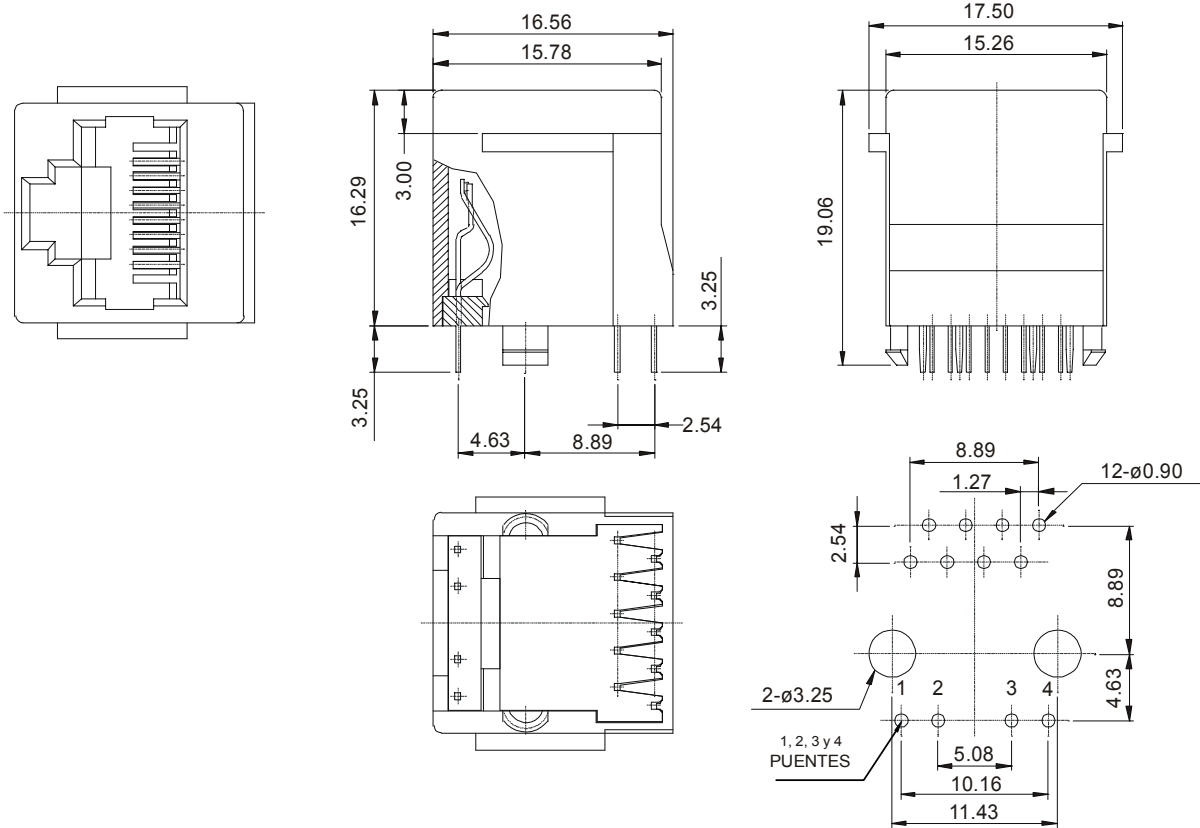


Ordering and Dimensional Information

VERSION	Part Number	
	W/O Panel Stop	With Panel Stop
8/2	7621 - T820	7621 - T821
8/8	7621 - T880	7621 - T881

T = Plating of the pins

- T = 4. 0.15 μ Gold over 1.27 μ Ni.
- T = 5. 0.38 μ Gold over 1.27 μ Ni.
- T = 6. 0.75 μ Gold over 1.27 μ Ni.
- T = 7. 1.27 μ Gold over 1.27 μ Ni.



RECOMMENDED HOLE PATTERN