

7.50/5.00 mm. POLARISED HEADER

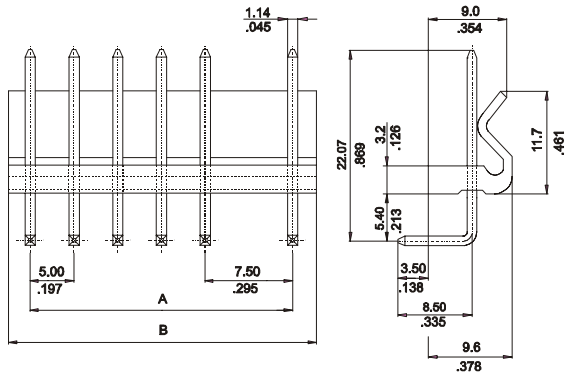


7504 SERIES 7.50 – 5.00mm (0.295” – 0.197”) Square pin. For PCB solder

Features

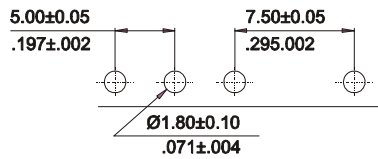
- Available in 2 through 15 circuits
- Different pin length and plating options are available
- Insulator Material: Nylon 6/6 UL 94V-0
- Polarised with friction lock
- 1.14 mm (.045”) square pin in finned brass
- Mates with 7500 series Socket

Dimensional Information



Ordering and Dimensional Information

Circuit Size	Part Number	Dimensions	
		A	B
02	7504-2021	7,50(0,295)	12,50(0,492)
03	7504-2031	12,50(0,492)	17,50(0,689)
04	7504-2041	17,50(0,689)	22,50(0,886)
05	7504-2051	22,50(0,886)	27,50(1,083)
06	7504-2061	27,50(1,083)	32,50(1,280)
07	7504-2071	32,50(1,280)	37,50(1,476)
08	7504-2081	37,50(1,476)	42,50(1,673)
09	7504-2091	42,50(1,673)	47,50(1,870)
10	7504-2101	47,50(1,870)	52,50(2,067)
11	7504-2111	52,50(2,067)	57,50(2,264)
12	7504-2121	57,50(2,264)	62,50(2,461)
13	7504-2131	62,50(2,461)	67,50(2,657)
14	7504-2141	67,50(2,657)	72,50(2,854)
15	7504-2151	72,50(2,854)	77,50(3,051)



RECOMMENDED HOLE PATTERN