

# 7.50/5.00mm STRAIGHT HEADER

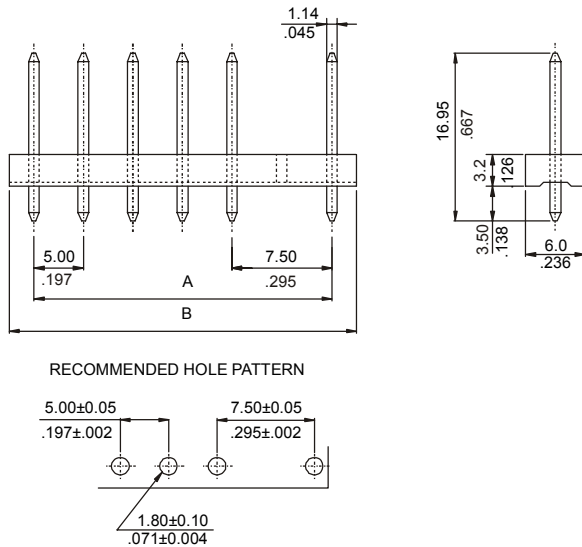


## 7501 SERIES 7.50–5.00mm(0.295” – 0.197”) For PCB Solder

### Features

- Available in 2 through 15 circuits
- Different pin length and plating options are available
- Insulator Material: Nylon 6/6 UL 94V-2
- 1.14mm (.045”) square pin in finned brass
- Mates with 7500 series Socket

### Dimensional Information



### Ordering and Dimensional Information

Circuit Size	Part Number	Dimensions	
		A	B
02	7501-2021	7,50(0,295)	12,50(0,492)
03	7501-2031	12,50(0,492)	17,50(0,689)
04	7501-2041	17,50(0,689)	22,50(0,886)
05	7501-2051	22,50(0,886)	27,50(1,083)
06	7501-2061	27,50(1,083)	32,50(1,280)
07	7501-2071	32,50(1,280)	37,50(1,476)
08	7501-2081	37,50(1,476)	42,50(1,673)
09	7501-2091	42,50(1,673)	47,50(1,870)
10	7501-2101	47,50(1,870)	52,50(2,067)
11	7501-2111	52,50(2,067)	57,50(2,264)
12	7501-2121	57,50(2,264)	62,50(2,461)
13	7501-2131	62,50(2,461)	67,50(2,657)
14	7501-2141	67,50(2,657)	72,50(2,854)
15	7501-2151	72,50(2,854)	77,50(3,051)

# 7.50/5.00mm POLARISED STRAIGHT HDR

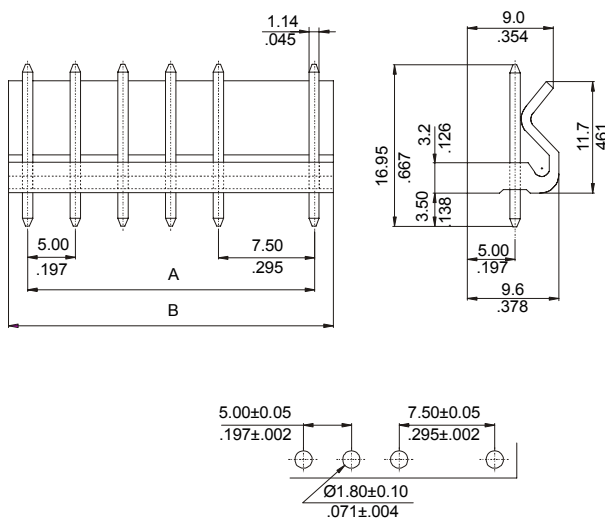


## 7502 SERIES 7.50–5.00mm (0.295”– 0.197”) For PCB Solder

### Features

- Available in 2 through 15 circuits
- Different pin length and plating options are available
- Insulator Material: Nylon 6/6 UL 94V-0
- Polarised with friction lock
- 1.14mm(.045”) square pin in finned brass
- Mates with 7500 series Socket

### Dimensional Information



### Ordering and Dimensional Information

Circuit Size	Part Number	Dimensions	
		A	B
02	7502-2021	7,50(0,295)	12,50(0,492)
03	7502-2031	12,50(0,492)	17,50(0,689)
04	7502-2041	17,50(0,689)	22,50(0,886)
05	7502-2051	22,50(0,886)	27,50(1,083)
06	7502-2061	27,50(1,083)	32,50(1,280)
07	7502-2071	32,50(1,280)	37,50(1,476)
08	7502-2081	37,50(1,476)	42,50(1,673)
09	7502-2091	42,50(1,673)	47,50(1,870)
10	7502-2101	47,50(1,870)	52,50(2,067)
11	7502-2111	52,50(2,067)	57,50(2,264)
12	7502-2121	57,50(2,264)	62,50(2,461)
13	7502-2131	62,50(2,461)	67,50(2,657)
14	7502-2141	67,50(2,657)	72,50(2,854)
15	7502-2151	72,50(2,854)	77,50(3,051)