

7.50/5.00mm CRIMP TYPE SOCKET

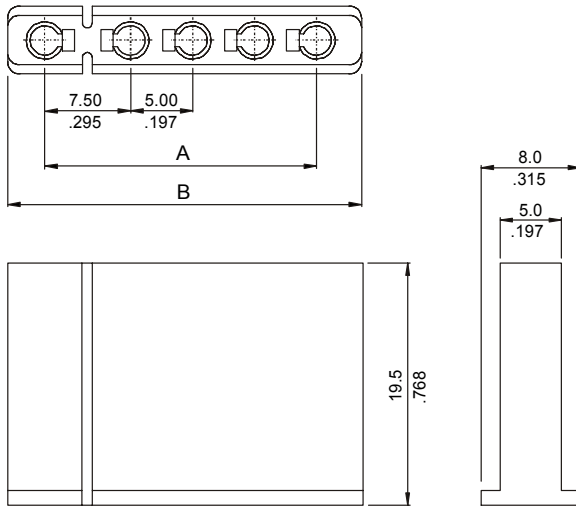


7555 SERIES 7.50–5.00mm (0.295” – 0.197”) Crimp Type Socket

Features

- Available in 1 through 6 circuits
- Material: Nylon 6/6 UL 94V-0
- Mates with 7556 series header
- Accepts 7553 series Crimp Terminal
- Polarised Socket
- With moulded pull tab

Dimensional Information



Ordering and Dimensional Information

Circuit Size	Part Number	Dimensions	
		A	B
01	7555-2011	-	6,00(0,236)
02	7555-2021	7,50(0,295)	13,50(0,531)
03	7555-2031	12,50(0,492)	18,50(0,728)
04	7555-2041	17,50(0,689)	23,50(0,925)
05	7555-2051	22,50(0,886)	28,50(1,122)
06	7555-2061	27,50(1,083)	33,50(1,319)

POWER CRIMP TERMINAL

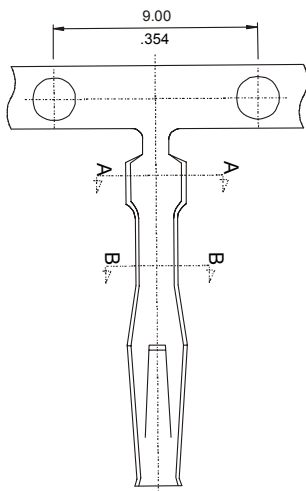


7553 SERIES. AWG 18–24 Multi-Contact

Features

- High current carrying capacity
- Wire ranges: AWG 18-24
- Material: Pre-tinned phosphor bronze
- Used in 7555 series Housing
- Mates with 1.56mm (.061") round pin
- Multi-contact

Dimensional Information



Ordering and Dimensional Information

Reel Quantity	Part Number	Material	Wire Ranges	Insulation Diameter
5,000Pcs (Reel)	7553 - 2000	Pre-tinned phosphor bronze	AWG 18 – 24	2.48(0.098) max.
Loose Piece	7553 - 2001	Pre-tinned phosphor bronze	AWG 18 – 24	2.48(0.098) max.

