

# TOP ENTRY MULTI-PORT PCB JACK

## 6819 SERIES For PCB solder Top Entry PCB Jack

### Features

- Available in 6/2, 6/4, 6/6 and 8/8 circuits
- Mates with FCC-68 modular plugs
- Housing Material: Nylon 6/6 UL 94V-0
- Contacts: Golden phosphor bronze 0.46mm round
- Gold plating over nickel in Contact Area.
- Tin plating over nickel in Solder Area
- Metal Post: 0.50mm thickness tin plated

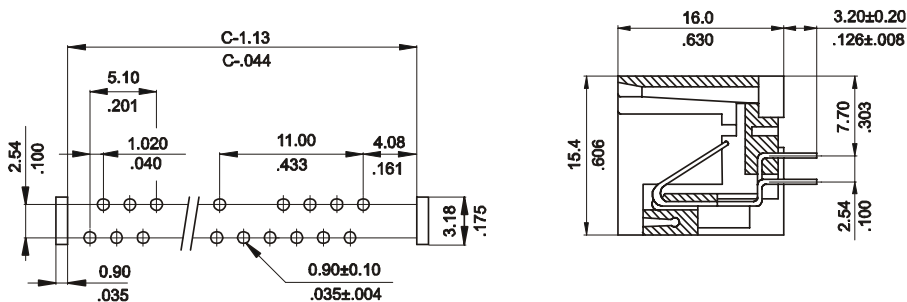
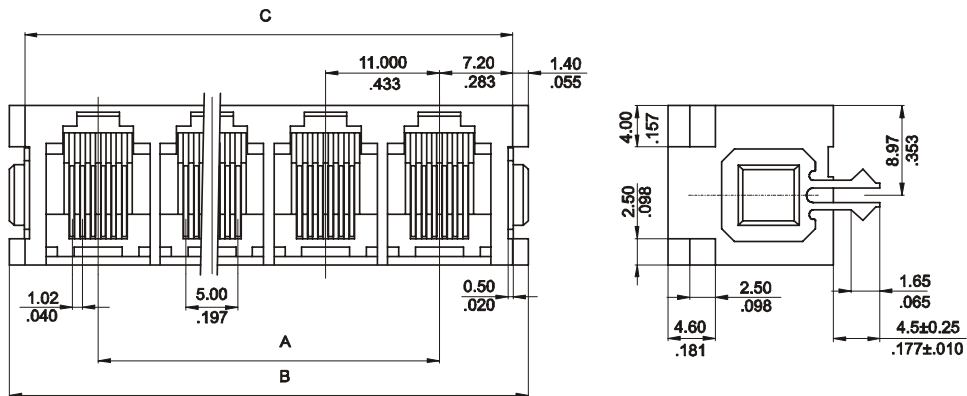
### Dimensional Information

### Ordering and Dimensional Information

Ports Number	6/2 Version	6/4 Version	6/6 Version	8/8 Version	Dimensions		
					A	B	C
2	6819 - T202	6819 - T402	6819 - T602	6819 - T802	11.00 (0.433)	28.20 (1.110)	25.20 (0.992)
3	6819 - T203	6819 - T403	6819 - T603	6819 - T803	22.00 (0.866)	39.20 (1.543)	36.20 (1.425)
4	6819 - T204	6819 - T404	6819 - T604	6819 - T804	33.00 (1.299)	50.20 (1.976)	47.20 (1.860)
5	6819 - T205	6819 - T405	6819 - T605	-	44.00 (1.732)	61.20 (2.410)	58.20 (2.290)
6	6819 - T206	6819 - T406	6819 - T606	-	55.00 (2.165)	72.20 (2.842)	69.20 (2.724)
7	6819 - T207	6819 - T407	6819 - T607	-	66.00 (2.598)	83.20 (3.275)	80.20 (3.157)
8	6819 - T208	6819 - T408	6819 - T608	-	77.00 (3.030)	94.20 (3.710)	91.20 (3.590)

### T = Contact Plating

- T = 4. 6 $\mu$ " gold over 50 $\mu$ " nickel
- T = 5. 15 $\mu$ " gold over 50 $\mu$ " nickel
- T = 6. 30 $\mu$ " gold over 50 $\mu$ " nickel
- T = 7. 50 $\mu$ " gold over 50 $\mu$ " nickel



RECOMMENDED HOLE PATTERN