

# SIDE ENTRY PCB JACK FCC-68

## 6816 SERIES For PCB Solder Side Entry PCB Jack

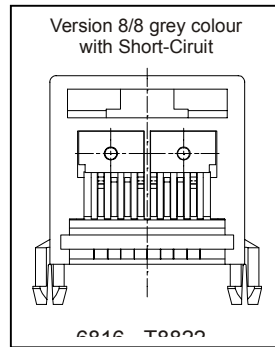
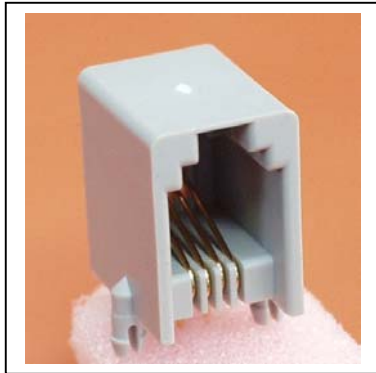
### Features

- Available in 4/4, 6/4, 6/6, 8/6, 8/8 and 10/10 circuits
- Mates with FCC-68 modular plugs
- Housing Material: Glass filled polyester UL 94V-0
- Contacts: Golden phosphor bronze 0.45mm diameter
- Available with or without Panel Stop
- Gold plating over nickel in Contact Area.
- Tin plating over nickel in Solder Area
- Insulation Resistance: 500 MΩ minimum
- Contact Resistance: 10mΩ maximum
- Version 8/8 grey colour with with Short-Circuit (**6816-T8822**)  
Short circuit: 1 to 4 and 5 to 8
- Other options consult with Sales Office

### Dimensional Information

### Ordering and Dimensional Information

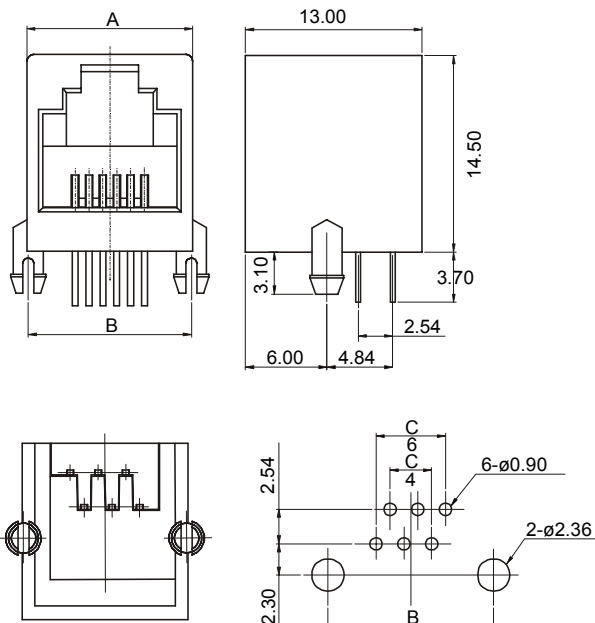
Circuit Size	Part Number				Dimensions		
	Black W/O Key	Grey W/O Key	Black With Key	Grey With Key	A	B	C
4/4	6816 - T441	6816 - T442	6816 - T443	6816 - T444	10.00 (0.393)	10.00 (0.393)	3.06 (0.121)
6/4	6816 - T641	6816 - T642	6816 - T643	6816 - T644	12.20 (0.481)	12.00 (0.473)	5.10 (0.200)
6/6	6816 - T661	6816 - T662	6816 - T663	6816 - T664	12.20 (0.481)	12.00 (0.473)	5.10 (0.200)
8/6	6816 - T861	6816 - T862	6816 - T863	6816 - T864	15.00 (0.591)	15.00 (0.591)	7.14 (0.282)
8/8	6816 - T881	6816 - T882	6816 - T883	6816 - T884	15.00 (0.591)	15.00 (0.591)	7.14 (0.282)
10/10	6816 - T101	6816 - T102	6816 - T103	6816 - T104	15.00 (0.591)	15.00 (0.591)	9.18 (0.362)



### T = Contact Plating

- T = 4. 6μ" gold over 50μ" nickel
- T = 5. 15μ" gold over 50μ" nickel
- T = 6. 30μ" gold over 50μ" nickel
- T = 7. 50μ" gold over 50μ" nickel

### Version Without Panel Stop Key



### Version With Panel Stop Key

