

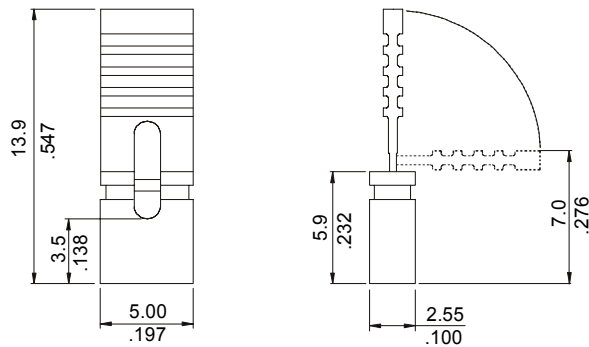
MINI JUMPER WITH HANDLE

5462 SERIES 2.54mm (0.100") Mini Jumper

Features

- Mates with any common pairs of 0.64mm(.025") square or round pin
- Contact Material: Phosphor bronze with plating options
- Insulator Material: Glass filled polyester UL 94V-0
- Test probe hole allows electrical inspection of contact during application
- Double tuning fork style contact guarantees high reliability
- Low profile

Dimensional Information:



Ordering and Dimensional Information:

Part Number	Contact Plating	Colour
5462-3020	Gold flash over 50µ" nickel	Black
5462-5020	15µ" gold over 50µ" nickel	Black
5462-7020	30µ" gold over 50µ" nickel	Black

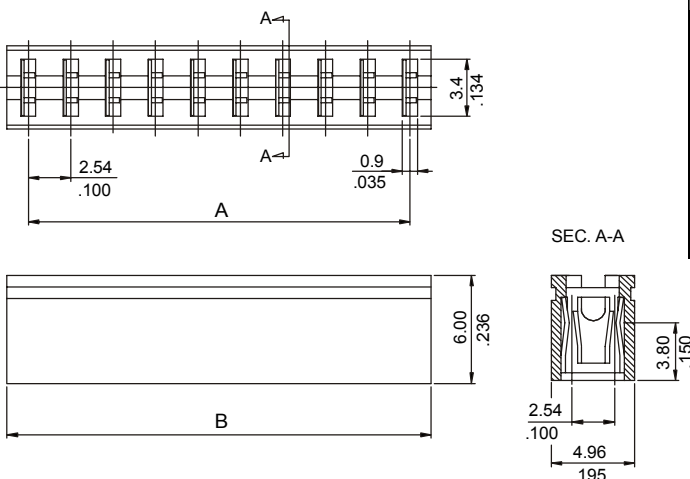
MULTIPLE JUMPER

3300 SERIES. 2.54mm (0.100"). Multiple Jumper

Features

- Available in 2 through 10 circuits
- Insulator Material: UL 94V-0
- Dual contact terminal in phosphor bronze
- Different plating options are available
- Mates with any common pairs of 0.64mm(0.025") square or round pin
- Low profile and open top

Dimensional Information:



Ordering and Dimensional Information:

		Dimensions	
		A	B
02	3300-T021	2,54(0,100)	5,08(0,200)
03	3300-T031	5,08(0,200)	7,62(0,300)
04	3300-T041	7,62(0,300)	10,16(0,400)
05	3300-T051	10,16(0,400)	12,70(0,500)
06	3300-T061	12,70(0,500)	15,24(0,600)
07	3300-T071	15,24(0,600)	17,78(0,700)
08	3300-T081	17,78(0,700)	20,32(0,800)
09	3300-T091	20,32(0,800)	22,86(0,900)
10	3300-T101	22,86(0,900)	25,40 (1.000)

T = Contact Plating

- T = 2. Tin plated
- T = 3. Gold flash over 50µ" nickel
Recommended Finish
- T = 5. 15µ" gold over 50µ" nickel