

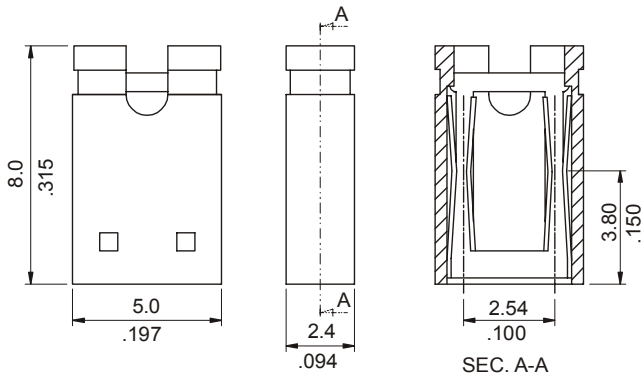
2.54mm MINI JUMPER

5460 SERIES 2.54mm (0.100") Fully Stackable

Features

- Mates with any common pairs of 0.64mm(.025") square or round pin
- Contact Material: Phosphor bronze with plating options
- Insulator Material: Glass filled polyester UL 94V-0
- Test probe hole allows electrical inspection of contact during application
- Double tuning fork type contact guarantees high reliability
- Low profile (8.00mm)

Dimensional Information



Ordering and Dimensional Information

Part Number	Finish	Colour
5460-3020	Gold flash over 50µ" nickel.	Black
5460-5020	15µ" gold over 50µ" nickel	Black
5460-7020	50µ" gold over 50µ" nickel	Black

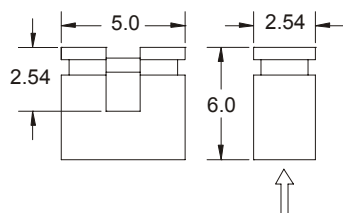
2.54mm MINI JUMPER

5461 SERIES. 2.54mm(0.100"). Mini Jumper

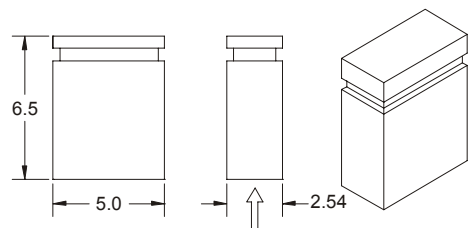
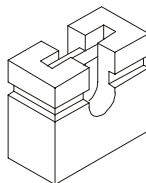
Features

- Mates with any common pairs of 0.64mm(.025") square or round pin
- Contact Material: Phosphor bronze with plating options
- Insulator Material: Glass filled polyester UL 94V-0
- Test probe hole allows electrical inspection of contact during application
- Double tuning fork type contact guarantees high reliability
- Low profile (6.00mm)

Dimensional Information



Tipo Abierto



Tipo Cerrado

Ordering and Dimensional Information

Open	Closed	Finish	Colour
5461-3020	5461-3021	Gold flash over 50µ" nickel.	Black
5461-5020	5461-5021	15µ" gold over 50µ" nickel	Black
5461-7020	5461-7021	50µ" gold over 50µ" nickel	Black