

5.08mm STRAIGHT PCB CONNECTOR

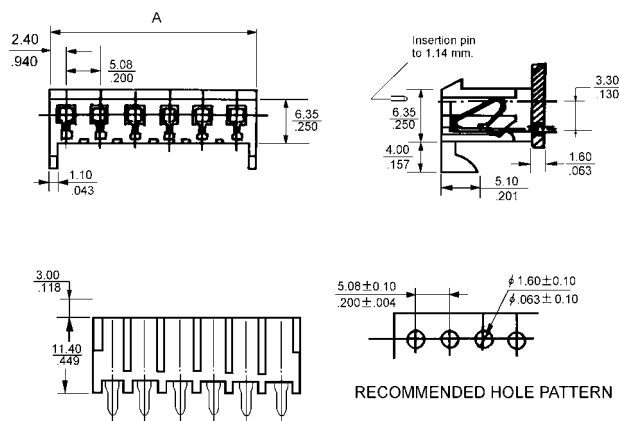


1507 SERIES 5.08mm (0.200") For PCB solder

Features

- Available in 2 through 20 circuits
- Insulator Material: Nylon 6/6 UL 94V-2
- For board to board applications
- Available with and without locking ramp
- Mates with 1.14mm (0.45") square or round pin
- Designed for parallel or right angle board stacking

Dimensional Information



Ordering and Dimensional Information

Circuit Size	Part Number		Dimensions
	With ramp	Without ramp	
02	1507-2021	1507-2022	10,16(0,400)
03	1507-2031	1507-2032	15,24(0,600)
04	1507-2041	1507-2042	20,32(0,800)
05	1507-2051	1507-2052	25,40(1,000)
06	1507-2061	1507-2062	30,48(1,200)
07	1507-2071	1507-2072	35,56(1,400)
08	1507-2081	1507-2082	40,64(1,600)
09	1507-2091	1507-2092	45,72(1,800)
10	1507-2101	1507-2102	50,80(2,000)
11	1507-2111	1507-2112	55,88(2,200)
12	1507-2121	1507-2122	60,96(2,400)
13	1507-2131	1507-2132	66,04(2,600)
14	1507-2141	1507-2142	71,12(2,800)
15	1507-2151	1507-2152	76,20(3,000)
16	1507-2161	1507-2162	81,28(3,200)
17	1507-2171	1507-2172	86,36(3,400)
18	1507-2181	1507-2182	91,44(3,600)
19	1507-2191	1507-2192	96,52(3,800)
20	1507-2201	1507-2202	101,80(4,000)

5.08mm RIGHT ANGLE PCB CONNECTOR

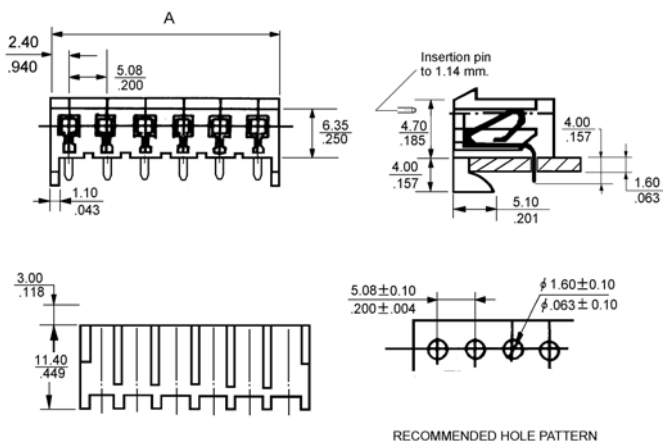


1508 SERIES 5.08mm (0.200") For PCB Solder

Features

- Available in 2 through 20 circuits
- Insulator Material: Nylon 6/6 UL 94V-2
- For board to board applications
- Available with and without locking ramp
- Mates with 1.14mm (0.45") square or round pin
- Designed for right angle board stacking

Dimensional Information



Ordering and Dimensional Information

Circuit Size	Part Number		Dimensions
	With ramp	Without ramp	
02	1508-2021	1508-2022	10,16(0,400)
03	1508-2031	1508-2032	15,24(0,600)
04	1508-2041	1508-2042	20,32(0,800)
05	1508-2051	1508-2052	25,40(1,000)
06	1508-2061	1508-2062	30,48(1,200)
07	1508-2071	1508-2072	35,56(1,400)
08	1508-2081	1508-2082	40,64(1,600)
09	1508-2091	1508-2092	45,72(1,800)
10	1508-2101	1508-2102	50,80(2,000)
11	1508-2111	1508-2112	55,88(2,200)
12	1508-2121	1508-2122	60,96(2,400)
13	1508-2131	1508-2132	66,04(2,600)
14	1508-2141	1508-2142	71,12(2,800)
15	1508-2151	1508-2152	76,20(3,000)
16	1508-2161	1508-2162	81,28(3,200)
17	1508-2171	1508-2172	86,36(3,400)
18	1508-2181	1508-2182	91,44(3,600)
19	1508-2191	1508-2192	96,52(3,800)
20	1508-2201	1508-2202	101,80(4,000)