

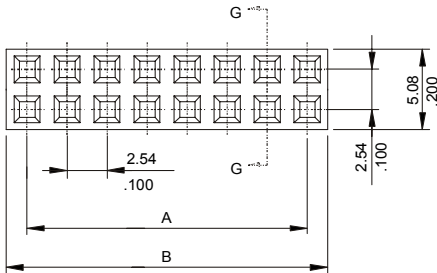
DUAL ROW CRIMP TYPE SOCKET

2652 SERIES 2.54 x 2.54mm (0.100 X 0.100"). For PCB Solder

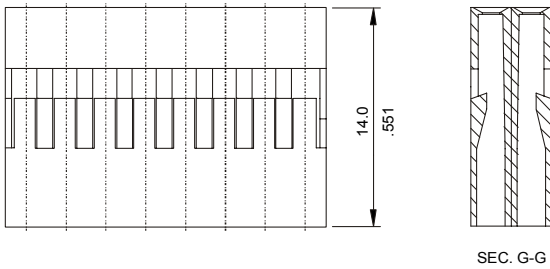
Features

- Available in 4 through 40 circuits
- Mates with 2.54mm(.100") dual row headers with 0.64mm square pin
- Accepts 2653 and 2663 crimp terminals
- For wire to wire and wire to board applications
- Material: Nylon 6/6 UL94V-2

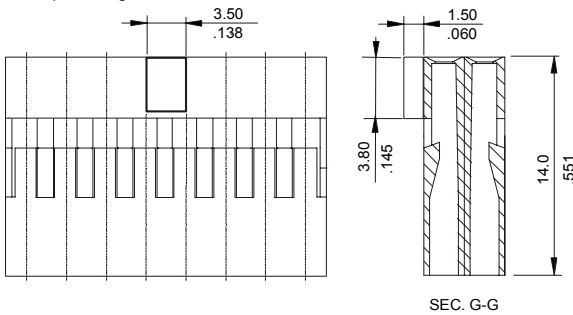
Dimensional Information



Without polarising



With polarising



Ordering and Dimensional Information

Circuit Size	Part Number		Dimensions	
	With polarising	W/O polarising	A	B
04	2652-2041	2652-3041	2,54(0,100)	5,08(0,200)
06	2652-2061	2652-3061	5,08(0,200)	7,62(0,300)
08	2652-2081	2652-3081	7,62(0,300)	10,16(0,400)
10	2652-2101	2652-3101	10,16(0,400)	12,70(0,500)
12	2652-2121	2652-3121	12,70(0,500)	15,24(0,600)
14	2652-2141	2652-3141	15,24(0,600)	17,78(0,700)
16	2652-2161	2652-3161	17,78(0,700)	20,32(0,800)
18	2652-2181	2652-3181	20,32(0,800)	22,86(0,900)
20	2652-2201	2652-3201	22,86(0,900)	25,40(1,000)
22	2652-2221	2652-3221	25,40(1,000)	27,94(1,100)
24	2652-2241	2652-3241	27,94(1,100)	30,48(1,200)
26	2652-2261	2652-3261	30,48(1,200)	33,02(1,300)
28	2652-2281	2652-3281	33,02(1,300)	35,56(1,400)
30	2652-2301	2652-3301	35,56(1,400)	38,10(1,500)
32	2652-2321	2652-3321	38,10(1,500)	40,64(1,600)
34	2652-2341	2652-3341	40,64(1,600)	43,18(1,700)
36	2652-2361	2652-3361	43,18(1,700)	45,72(1,800)
38	2652-2381	2652-3381	45,72(1,800)	48,26(1,900)
40	2652-2401	2652-3401	48,26(1,900)	50,80(2,000)

