

2.00mm DUAL ROW PCB CONNECTOR

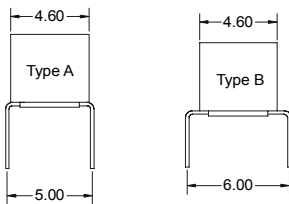
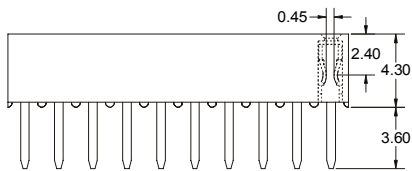
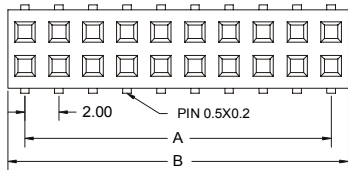
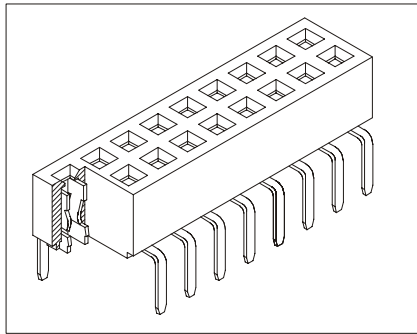
2172 SERIES 2.00mm (0.079") PCB Solder

Features

- Available in 6 through 80 circuits
- Material: Nylon 6-T UL 94V-0
- Mates with 2.00mm pitch and 0.50mm pin headers
- Low profile and high density PCB socket
- Height: 4.30mm
- Different plating options are available
- High quality dual beam phosphor bronze contacts
- Designed for board to board small spacing interconnection

Dimensional Information

Ordering and Dimensional Information



Circuit Size	Part Number		Dimensions	
	Type A	Type B	A	B
06	2172 - T061	2172 - T062	4,00(0,157)	6,40(0,252)
08	2172 - T081	2172 - T082	6,00(0,236)	8,40(0,331)
10	2172 - T101	2172 - T102	8,00(0,315)	10,40(0,409)
12	2172 - T121	2172 - T122	10,00(0,394)	12,40(0,488)
14	2172 - T141	2172 - T142	12,00(0,472)	14,40(0,567)
16	2172 - T161	2172 - T162	14,00(0,551)	16,40(0,646)
18	2172 - T181	2172 - T182	16,00(0,630)	18,40(0,724)
20	2172 - T201	2172 - T202	18,00(0,709)	20,40(0,803)
22	2172 - T221	2172 - T222	20,00(0,787)	22,40(0,882)
24	2172 - T241	2172 - T242	22,00(0,866)	24,40(0,961)
26	2172 - T261	2172 - T262	24,00(0,945)	26,40(1,039)
28	2172 - T281	2172 - T282	26,00(1,024)	28,40(1,118)
30	2172 - T301	2172 - T302	28,00(1,102)	30,40(1,197)
32	2172 - T321	2172 - T322	30,00(1,181)	32,40(1,276)
34	2172 - T341	2172 - T342	32,00(1,260)	34,40(1,354)
36	2172 - T361	2172 - T362	34,00(1,339)	36,40(1,433)
38	2172 - T381	2172 - T382	36,00(1,417)	38,40(1,512)
40	2172 - T401	2172 - T402	38,00(1,496)	40,40(1,591)
42	2172 - T421	2172 - T422	40,00(1,575)	42,40(1,669)
44	2172 - T441	2172 - T442	42,00(1,654)	44,40(1,748)
46	2172 - T461	2172 - T462	44,00(1,732)	46,40(1,827)
48	2172 - T481	2172 - T482	46,00(1,811)	48,40(1,906)
50	2172 - T501	2172 - T502	48,00(1,890)	50,40(1,984)
52	2172 - T521	2172 - T522	50,00(1,969)	52,40(2,063)
54	2172 - T541	2172 - T542	52,00(2,047)	54,40(2,142)
56	2172 - T561	2172 - T562	54,00(2,126)	56,40(2,220)
58	2172 - T581	2172 - T582	56,00(2,205)	58,40(2,299)
60	2172 - T601	2172 - T602	58,00(2,283)	60,40(2,378)
62	2172 - T621	2172 - T622	60,00(2,362)	62,40(2,457)
64	2172 - T641	2172 - T642	62,00(2,441)	64,40(2,535)
66	2172 - T661	2172 - T662	64,00(2,520)	66,40(2,614)
68	2172 - T681	2172 - T682	66,00(2,598)	68,40(2,693)
70	2172 - T701	2172 - T702	68,00(2,677)	70,40(2,772)
72	2172 - T721	2172 - T722	70,00(2,756)	72,40(2,850)
74	2172 - T741	2172 - T742	72,00(2,835)	74,40(2,929)
76	2172 - T761	2172 - T762	74,00(2,913)	76,40(3,008)
78	2172 - T781	2172 - T782	76,00(2,992)	78,40(3,087)
80	2172 - T801	2172 - T802	78,00(3,071)	80,40(3,165)

T = Contact Plating

- T = 2. Tin plated
- T = 3. Gold flash over 50µ" nickel
Recommended Finish
- T = 5. 15µ" gold over 50µ" nickel
- T = 6. 30µ" gold over 50µ" nickel
- T = 13. Selective gold flash over 50µ" nickel
- T = 15. 15µ" selective gold over 50µ" nickel
- T = 16. 30µ" selective gold over 50µ" nickel

RECOMMENDED HOLE PATTERN

