

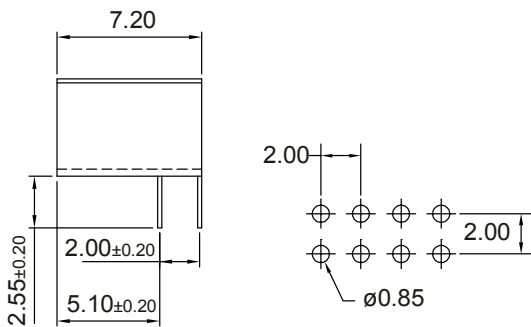
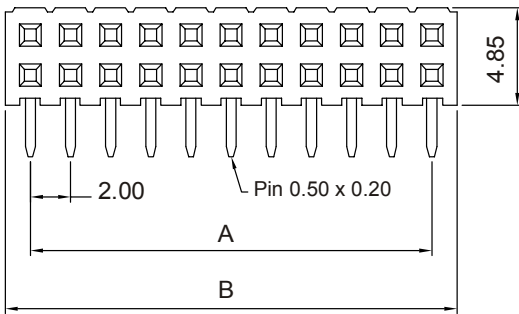
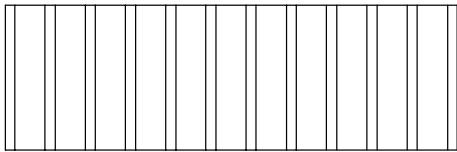
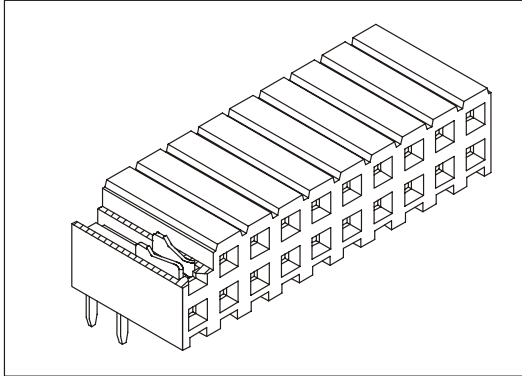
2.00mm DUAL ROW PCB SOCKET

2094 SERIES 2.00mm (0.079") Dual Row Right Angle Header PCB Solder

Features

- Available in 8 through 80 circuits
- Insulator Material: Nylon 6-T UL 94V-0
- Mates with 2.00mm pitch and 0.50mm pin headers
- Different plating options are available
- High quality dual beam phosphor bronze contacts
- Low profile (4.85mm)

Dimensional Information



RECOMMENDED HOLE PATTERN

Ordering and Dimensional Information

Circuit Size	Part Number	Dimensions	
		A	B
08	2094-T083	6,00(0,236)	8,50(0,335)
10	2094-T103	8,00(0,315)	10,50(0,413)
12	2094-T123	10,00(0,394)	12,50(0,492)
14	2094-T143	12,00(0,472)	14,50(0,571)
16	2094-T163	14,00(0,551)	16,50(0,650)
18	2094-T183	16,00(0,630)	18,50(0,728)
20	2094-T203	18,00(0,709)	20,50(0,807)
22	2094-T223	20,00(0,787)	22,50(0,886)
24	2094-T243	22,00(0,866)	24,50(0,965)
26	2094-T263	24,00(0,945)	26,50(1,043)
28	2094-T283	26,00(1,024)	28,50(1,122)
30	2094-T303	28,00(1,102)	30,50(1,201)
32	2094-T323	30,00(1,181)	32,50(1,280)
34	2094-T343	32,00(1,260)	34,50(1,358)
36	2094-T363	34,00(1,339)	36,50(1,437)
38	2094-T383	36,00(1,417)	38,50(1,516)
40	2094-T403	38,00(1,496)	40,50(1,594)
42	2094-T423	40,00(1,575)	42,50(1,673)
44	2094-T443	42,00(1,654)	44,50(1,752)
46	2094-T463	44,00(1,732)	46,50(1,831)
48	2094-T483	46,00(1,811)	48,50(1,909)
50	2094-T503	48,00(1,890)	50,50(1,988)
52	2094-T523	50,00(1,969)	52,50(2,067)
54	2094-T543	52,00(2,047)	54,50(2,146)
56	2094-T563	54,00(2,126)	56,50(2,224)
58	2094-T583	56,00(2,205)	58,50(2,303)
60	2094-T603	58,00(2,283)	60,50(2,382)
62	2094-T623	60,00(2,362)	62,50(2,461)
64	2094-T643	62,00(2,441)	64,50(2,539)
66	2094-T663	64,00(2,520)	66,50(2,618)
68	2094-T683	66,00(2,598)	68,50(2,697)
70	2094-T703	68,00(2,677)	70,50(2,776)
72	2094-T723	70,00(2,756)	72,50(2,854)
74	2094-T743	72,00(2,835)	74,50(2,933)
76	2094-T763	74,00(2,913)	76,50(3,012)
78	2094-T783	76,00(2,992)	78,50(3,091)
80	2094-T803	78,00(3,071)	80,50(3,169)

T = Contact Plating

- T = 2. Tin plated
- T = 3. Gold flash over 50µ" nickel
Recommended Finish
- T = 5. 15µ" gold over 50µ" nickel
- T = 6. 30µ" gold over 50µ" nickel
- T = 13. Selective gold flash over 50µ" nickel
- T = 15. 15µ" selective gold over 50µ" nickel
- T = 16. 30µ" selective gold over 50µ" nickel