

# 2.54mm DUAL ROW PCB SOCKET

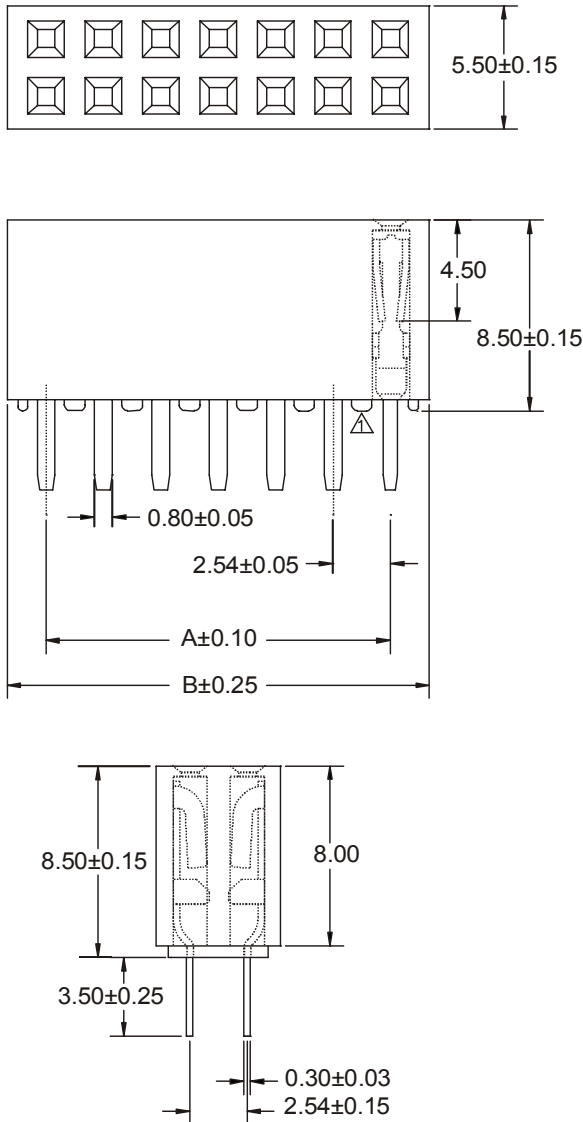


## 5453 SERIES 2.54 x 2.54mm (0.100 X 0.100"). For PCB Solder

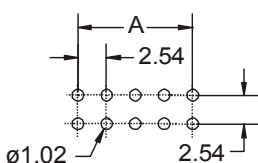
### Features

- Available in 4 through 80 circuits
- Insulator Material: Nylon 6-T UL 94V-0
- Mates with 2.54mm pitch and 0.50mm pin headers
- Low profile and high density PCB socket
- Height: 8.50mm
- Different plating options are available
- High quality triple beam phosphor bronze contacts
- Designed for board to board small spacing interconnection

### Dimensional Information



### RECOMMENDED HOLE PATTERN



### Ordering and Dimensional Information

| Circuit Size | Part Number | Dimensions   |               |
|--------------|-------------|--------------|---------------|
|              |             | A            | B             |
| 04           | 5453-T041   | 2,54(0,100)  | 5,54(0,218)   |
| 06           | 5453-T061   | 5,08(0,200)  | 8,08(0,318)   |
| 08           | 5453-T081   | 7,62(0,300)  | 10,62(0,418)  |
| 10           | 5453-T101   | 10,16(0,400) | 13,16(0,518)  |
| 12           | 5453-T121   | 12,70(0,500) | 15,70(0,618)  |
| 14           | 5453-T141   | 15,24(0,600) | 18,24(0,718)  |
| 16           | 5453-T161   | 17,78(0,700) | 20,78(0,818)  |
| 18           | 5453-T181   | 20,32(0,800) | 23,32(0,918)  |
| 20           | 5453-T201   | 22,86(0,900) | 25,86(1,018)  |
| 22           | 5453-T221   | 25,40(1,000) | 28,40(1,118)  |
| 24           | 5453-T241   | 27,94(1,100) | 30,94(1,218)  |
| 26           | 5453-T261   | 30,48(1,200) | 33,48(1,318)  |
| 28           | 5453-T281   | 33,02(1,300) | 36,02(1,418)  |
| 30           | 5453-T301   | 35,56(1,400) | 38,56(1,518)  |
| 32           | 5453-T321   | 38,10(1,500) | 41,10(1,618)  |
| 34           | 5453-T341   | 40,64(1,600) | 43,64(1,718)  |
| 36           | 5453-T361   | 43,18(1,700) | 46,18(1,818)  |
| 38           | 5453-T381   | 45,72(1,800) | 48,72(1,918)  |
| 40           | 5453-T401   | 48,26(1,900) | 51,26(2,018)  |
| 42           | 5453-T421   | 50,80(2,000) | 53,80(2,118)  |
| 44           | 5453-T441   | 53,34(2,100) | 56,34(2,218)  |
| 46           | 5453-T461   | 55,88(2,200) | 58,88(2,318)  |
| 48           | 5453-T481   | 58,42(2,300) | 61,42(2,418)  |
| 50           | 5453-T501   | 60,96(2,400) | 63,96(2,518)  |
| 52           | 5453-T521   | 63,50(2,500) | 66,50(2,618)  |
| 54           | 5453-T541   | 66,04(2,600) | 69,04(2,718)  |
| 56           | 5453-T561   | 68,58(2,700) | 71,58(2,818)  |
| 58           | 5453-T581   | 71,12(2,800) | 74,12(2,918)  |
| 60           | 5453-T601   | 73,66(2,900) | 76,66(3,018)  |
| 62           | 5453-T621   | 76,20(3,000) | 79,20(3,118)  |
| 64           | 5453-T641   | 78,74(3,100) | 81,74(3,218)  |
| 66           | 5453-T661   | 81,28(3,200) | 84,28(3,318)  |
| 68           | 5453-T681   | 83,82(3,300) | 86,82(3,418)  |
| 70           | 5453-T701   | 86,36(3,400) | 89,36(3,518)  |
| 72           | 5453-T721   | 88,90(3,500) | 91,90(3,618)  |
| 74           | 5453-T741   | 91,44(3,600) | 94,44(3,718)  |
| 76           | 5453-T761   | 93,98(3,700) | 96,98(3,818)  |
| 78           | 5453-T781   | 96,52(3,800) | 99,52(3,918)  |
| 80           | 5453-T801   | 99,06(3,900) | 102,06(4,018) |

### T = Contact Plating

- T = 2. Tin plated
- T = 3. Gold flash over 50µ" nickel  
Recommended Finish
- T = 5. 15µ" gold over 50µ" nickel
- T = 6. 30µ" gold over 50µ" nickel

