

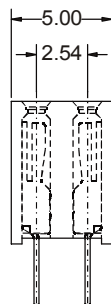
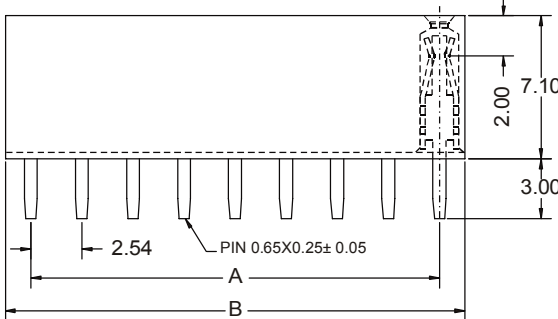
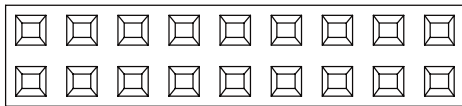
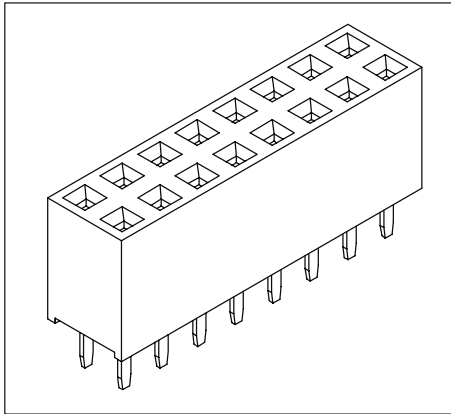
# 2.54mm DUAL ROW FEMALE SOCKET

## 2202 SERIES 2.54 x 2.54mm (0.100 x 0.100") For PCB Solder

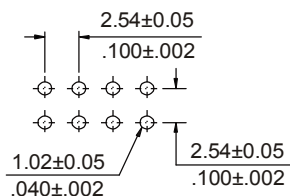
### Features

- Available in 4 through 80 circuits
- Housing Material: Glass filled polyester UL 94V-0
- Mates with 2.54mm pitch and 0.64mm pin headers
- Dual beam phosphor bronze contacts
- Height: 7.10mm
- Different plating options are available
- With standoff minimise flux retention
- Designed for board to board interconnection systems

### Dimensional Information



### RECOMMENDED HOLE PATTERN



### Ordering and Dimensional Information

Circuit Size	Part Number	Dimensions	
		A	B
04	<b>2202-T041</b>	2,54(0,100)	5,08(0,200)
06	<b>2202-T061</b>	5,08(0,200)	7,62(0,300)
08	<b>2202-T081</b>	7,62(0,300)	10,16(0,400)
10	<b>2202-T101</b>	10,16(0,400)	12,70(0,500)
12	<b>2202-T121</b>	12,70(0,500)	15,24(0,600)
14	<b>2202-T141</b>	15,24(0,600)	17,78(0,700)
16	<b>2202-T161</b>	17,78(0,700)	20,32(0,800)
18	<b>2202-T181</b>	20,32(0,800)	22,86(0,900)
20	<b>2202-T201</b>	22,86(0,900)	25,40(1,000)
22	<b>2202-T221</b>	25,40(1,000)	27,94(1,100)
24	<b>2202-T241</b>	27,94(1,100)	30,48(1,200)
26	<b>2202-T261</b>	30,48(1,200)	33,02(1,300)
28	<b>2202-T281</b>	33,02(1,300)	35,56(1,400)
30	<b>2202-T301</b>	35,56(1,400)	38,10(1,500)
32	<b>2202-T321</b>	38,10(1,500)	40,64(1,600)
34	<b>2202-T341</b>	40,64(1,600)	43,18(1,700)
36	<b>2202-T361</b>	43,18(1,700)	45,72(1,800)
38	<b>2202-T381</b>	45,72(1,800)	48,26(1,900)
40	<b>2202-T401</b>	48,26(1,900)	50,80(2,000)
42	<b>2202-T421</b>	50,80(2,000)	53,34(2,100)
44	<b>2202-T441</b>	53,34(2,100)	55,88(2,200)
46	<b>2202-T461</b>	55,88(2,200)	58,42(2,300)
48	<b>2202-T481</b>	58,42(2,300)	60,96(2,400)
50	<b>2202-T501</b>	60,96(2,400)	63,50(2,500)
52	<b>2202-T521</b>	63,50(2,500)	66,04(2,600)
54	<b>2202-T541</b>	66,04(2,600)	68,58(2,700)
56	<b>2202-T561</b>	68,58(2,700)	71,12(2,800)
58	<b>2202-T581</b>	71,12(2,800)	73,66(2,900)
60	<b>2202-T601</b>	73,66(2,900)	76,20(3,000)
62	<b>2202-T621</b>	76,20(3,000)	78,74(3,100)
64	<b>2202-T641</b>	78,74(3,100)	81,28(3,200)
66	<b>2202-T661</b>	81,28(3,200)	83,82(3,300)
68	<b>2202-T681</b>	83,82(3,300)	86,36(3,400)
70	<b>2202-T701</b>	86,36(3,400)	88,90(3,500)
72	<b>2202-T721</b>	88,90(3,500)	91,44(3,600)
74	<b>2202-T741</b>	91,44(3,600)	93,98(3,700)
76	<b>2202-T761</b>	93,98(3,700)	96,52(3,800)
78	<b>2202-T781</b>	96,52(3,800)	99,06(3,900)
80	<b>2202-T801</b>	99,06(3,900)	101,60(4,000)

### T = Contact Plating

- T = 2. Tin plated
- T = 3. Gold flash over 50µ" nickel  
Recommended Finish
- T = 5. 15µ" gold over 50µ" nickel
- T = 6. 30µ" gold over 50µ" nickel
- T = 13. Selective gold flash over 50µ" nickel
- T = 15. 15µ" selective gold over 50µ" nickel
- T = 16. 30µ" selective gold over 50µ" nickel