

SINGLE ROW SHROUDED STRAIGHT HEADER

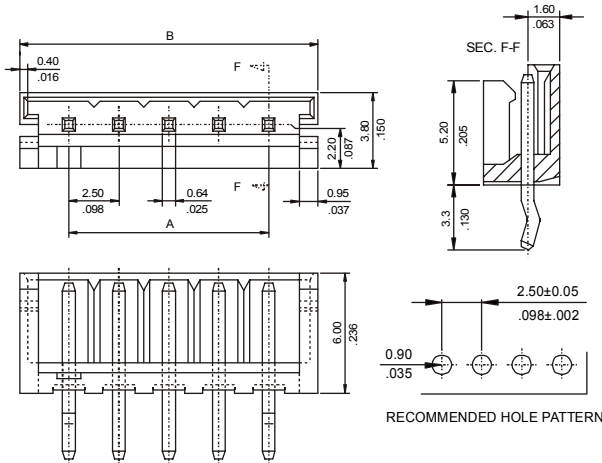


2421 SERIES 2.50mm(0.098") For PCB Solder

Features

- Available in 2 through 15 circuits
- Insulator Material: Nylon 6/6 UL94V-0
- 0.64mm(0.025") square pin in copper alloy
- Polarisation slots
- Mates with 2420 series socket
- With standoffs minimise flux wicking
- Low profile (6mm)
- Pre-formed pins in solder area

Dimensional Information



Ordering and Dimensional Information

Circuit Size	Part Number	Dimensions	
		A	B
02	2421-2021	2,50(0,098)	7,40(0,291)
03	2421-2031	5,00(0,197)	9,90(0,390)
04	2421-2041	7,50(0,295)	12,40(0,488)
05	2421-2051	10,00(0,394)	14,90(0,587)
06	2421-2061	12,50(0,492)	17,40(0,685)
07	2421-2071	15,00(0,591)	19,90(0,783)
08	2421-2081	17,50(0,689)	22,40(0,882)
09	2421-2091	20,00(0,787)	24,90(0,980)
10	2421-2101	22,50(0,886)	27,40(1,079)
11	2421-2111	25,00(0,984)	29,90(1,177)
12	2421-2121	27,50(1,083)	32,40(1,276)
13	2421-2131	30,00(1,181)	34,90(1,374)
14	2421-2141	32,50(1,280)	37,40(1,472)
15	2421-2151	35,00(1,378)	39,90(1,571)

RIGHT ANGLE HEADER

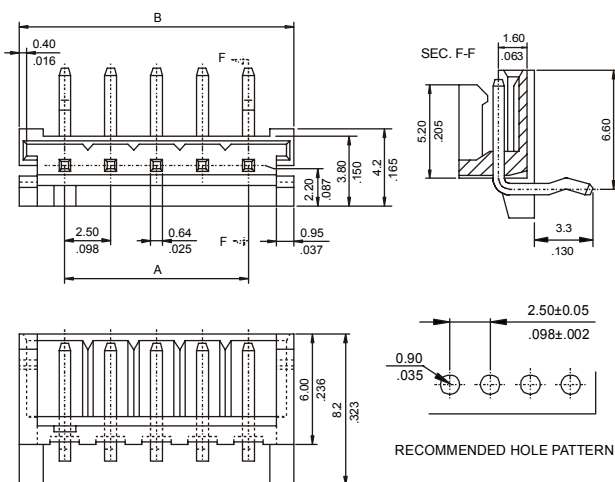


2422 SERIES 2.50mm(0.098"). For PCB Solder

Features

- Available in 2 through 15 circuits
- Insulator Material: Nylon 6/6 UL94V-0
- 0.64mm(0.025") square pin in copper alloy
- Polarisation slots
- Mates with 2420 series socket
- With standoffs minimise flux wicking
- Low profile (6mm)
- Pre-formed pins in solder area

Dimensional Information



Ordering and dimensional Information

Circuit Size	Part Number	Dimensions	
		A	B
02	2422-2021	2,50(0,098)	7,40(0,291)
03	2422-2031	5,00(0,197)	9,90(0,390)
04	2422-2041	7,50(0,295)	12,40(0,488)
05	2422-2051	10,00(0,394)	14,90(0,587)
06	2422-2061	12,50(0,492)	17,40(0,685)
07	2422-2071	15,00(0,591)	19,90(0,783)
08	2422-2081	17,50(0,689)	22,40(0,882)
09	2422-2091	20,00(0,787)	24,90(0,980)
10	2422-2101	22,50(0,886)	27,40(1,079)
11	2422-2111	25,00(0,984)	29,90(1,177)
12	2422-2121	27,50(1,083)	32,40(1,276)
13	2422-2131	30,00(1,181)	34,90(1,374)
14	2422-2141	32,50(1,280)	37,40(1,472)
15	2422-2151	35,00(1,378)	39,90(1,571)