

SINGLE ROW SHROUDED STRAIGHT HEADER

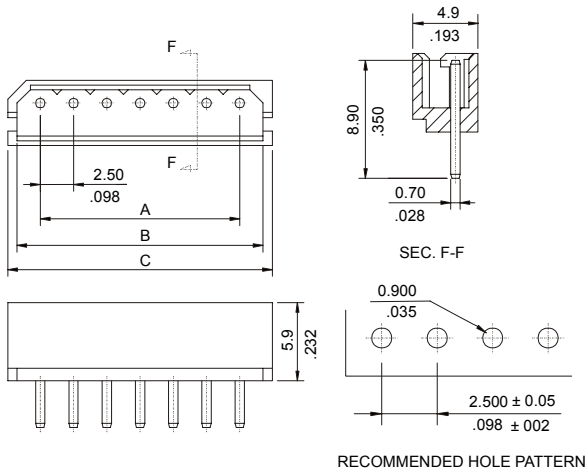


2536 SERIES 2.50mm (0.098") For PCB Solder

Features

- Available in 2 through 15 circuits
- Mates with 2535 series socket
- Contact: Brass
- Insulator Material: Nylon 6/6 UL 94V-0
- 0.70mm(0.028") round pin
- Plating: Tin plated
- Friction lock
- Low profile

Dimensional Information



Ordering and Dimensional Information

Circuit Size	Part Number	Dimensions		
		A	B	C
02	2536-2022	2,50(0,098)	6,00(0,236)	7,50 (0,295)
03	2536-2032	5,00(0,197)	8,50(0,335)	10,00 (0,394)
04	2536-2042	7,50(0,295)	11,00(0,433)	12,50 (0,492)
05	2536-2052	10,00(0,394)	13,50(0,531)	15,00 (0,591)
06	2536-2062	12,50(0,492)	16,00(0,630)	17,50 (0,689)
07	2536-2072	15,00(0,591)	18,50(0,728)	20,00 (0,787)
08	2536-2082	17,50(0,689)	21,00(0,827)	22,50 (0,886)
09	2536-2092	20,00(0,787)	23,50(0,925)	25,00 (0,984)
10	2536-2102	22,50(0,886)	26,00(1,024)	27,60 (1,087)
11	2536-2112	25,00(0,984)	28,50(1,122)	30,10 (1,185)
12	2536-2122	27,50(1,083)	31,00(1,220)	32,60 (1,283)
13	2536-2132	30,00(1,181)	33,50(1,319)	35,10 (1,382)
14	2536-2142	32,50(1,280)	36,00(1,417)	37,60 (1,480)
15	2536-2152	35,00(1,378)	38,50(1,516)	40,10 (1,579)

SINGLE ROW RIGHT ANGLE HEADER

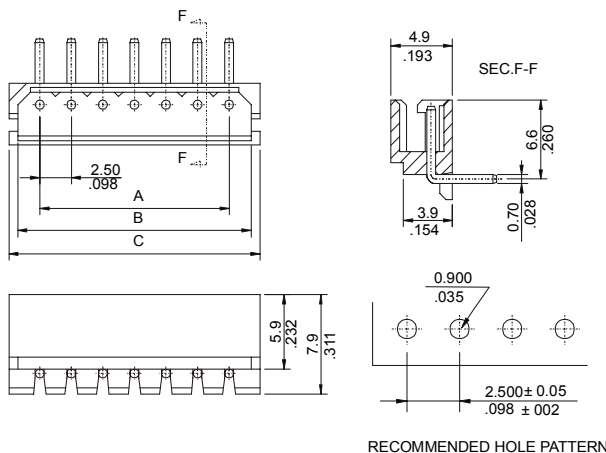


2537 SERIES 2.50mm (0.098") For PCB Solder

Features

- Available in 2 through 15 circuits
- Mates with 2535 series socket
- Contact: Brass
- Insulator Material: Nylon 6/6 UL 94V-0
- 0.70mm(0.028") round pin
- Plating: Tin plated
- Friction lock
- Low profile

Dimensional Information



Ordering and Dimensional Information

Circuit Size	Part Number	Dimensions		
		A	B	C
02	2537-2022	2,50(0,098)	6,00(0,236)	7,50 (0,295)
03	2537-2032	5,00(0,197)	8,50(0,335)	10,00 (0,394)
04	2537-2042	7,50(0,295)	11,00(0,433)	12,50 (0,492)
05	2537-2052	10,00(0,394)	13,50(0,531)	15,00 (0,591)
06	2537-2062	12,50(0,492)	16,00(0,630)	17,50 (0,689)
07	2537-2072	15,00(0,591)	18,50(0,728)	20,00 (0,787)
08	2537-2082	17,50(0,689)	21,00(0,827)	22,50 (0,886)
09	2537-2092	20,00(0,787)	23,50(0,925)	25,00 (0,984)
10	2537-2102	22,50(0,886)	26,00(1,024)	27,60 (1,087)
11	2537-2112	25,00(0,984)	28,50(1,122)	30,10 (1,185)
12	2537-2122	27,50(1,083)	31,00(1,220)	32,60 (1,283)
13	2537-2132	30,00(1,181)	33,50(1,319)	35,10 (1,382)
14	2537-2142	32,50(1,280)	36,00(1,417)	37,60 (1,480)
15	2537-2152	35,00(1,378)	38,50(1,516)	40,10 (1,579)