

SINGLE ROW SHROUDED STRAIGHT HEADER

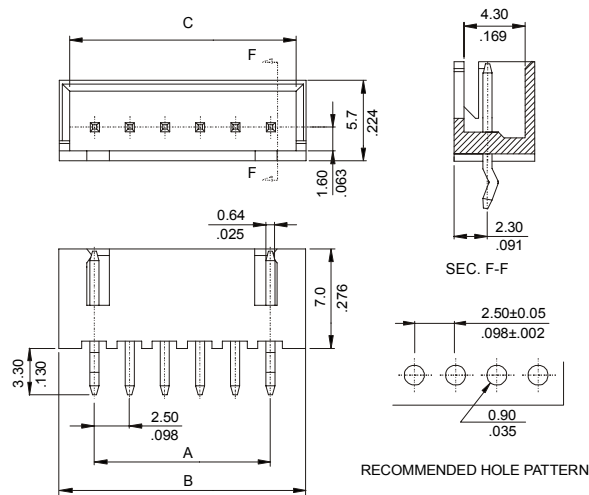


2521 SERIES 2.50mm (0.098") For PCB Solder

Features

- Available in 2 through 20 circuits
- Mates with 2520 series socket
- Insulator Material: Nylon 6/6 UL 94V-0
- 0.64mm(0.025") square pin in brass tinned
- Polarisation slots
- With standoffs minimise flux wicking
- Low profile

Dimensional Information



Ordering and Dimensional Information

Circuit Size	Part Number	Dimensions		
		A	B	C
02	2521-2021	2,50(0,098)	7,50(0,295)	6,10(0,240)
03	2521-2031	5,00(0,197)	10,00(0,394)	8,60(0,339)
04	2521-2041	7,50(0,295)	12,50(0,492)	11,10(0,437)
05	2521-2051	10,00(0,394)	15,00(0,591)	13,60(0,535)
06	2521-2061	12,50(0,492)	17,50(0,689)	16,10(0,634)
07	2521-2071	15,00(0,591)	20,00(0,787)	18,60(0,732)
08	2521-2081	17,50(0,689)	22,50(0,886)	21,10(0,831)
09	2521-2091	20,00(0,787)	25,00(0,984)	23,60(0,929)
10	2521-2101	22,50(0,886)	27,50(1,083)	26,10(1,028)
11	2521-2111	25,00(0,984)	30,00(1,181)	28,60(1,126)
12	2521-2121	27,50(1,083)	32,50(1,280)	31,10(1,224)
13	2521-2131	30,00(1,181)	35,00(1,378)	33,60(1,323)
14	2521-2141	32,50(1,280)	37,50(1,476)	36,10(1,421)
15	2521-2151	35,00(1,378)	40,00(1,575)	38,60(1,520)
16	2521-2161	37,50(1,476)	42,50(1,673)	41,10(1,618)
17	2521-2171	40,00(1,575)	45,00(1,772)	43,60(1,717)
18	2521-2181	42,50(1,673)	47,50(1,870)	46,10(1,815)
19	2521-2191	45,00(1,772)	50,00(1,969)	48,60(1,913)
20	2521-2201	47,50(1,870)	52,50(2,067)	51,10(2,012)

SHROUDED RIGHT ANGLE HEADER



2522 SERIES 2.50mm (0.098") For PCB Solder

Features

- Available in 2 through 20 circuits
- Mates with 2520 series socket
- Insulator Material: Nylon 6/6 UL 94V-0
- 0.64mm(0.025") square pin in brass tinned
- With polarisation slots
- With standoffs minimise flux wicking
- Low profile

Dimensional Information

Ordering and Dimensional Information

Circuit Size	Part Number	Dimensions		
		A	B	C
02	2522-2021	2,50(0,098)	7,50(0,295)	6,10(0,240)
03	2522-2031	5,00(0,197)	10,00(0,394)	8,60(0,339)
04	2522-2041	7,50(0,295)	12,50(0,492)	11,10(0,437)
05	2522-2051	10,00(0,394)	15,00(0,591)	13,60(0,535)
06	2522-2061	12,50(0,492)	17,50(0,689)	16,10(0,634)
07	2522-2071	15,00(0,591)	20,00(0,787)	18,60(0,732)
08	2522-2081	17,50(0,689)	22,50(0,886)	21,10(0,831)
09	2522-2091	20,00(0,787)	25,00(0,984)	23,60(0,929)
10	2522-2101	22,50(0,886)	27,50(1,083)	26,10(1,028)
11	2522-2111	25,00(0,984)	30,00(1,181)	28,60(1,126)
12	2522-2121	27,50(1,083)	32,50(1,280)	31,10(1,224)
13	2522-2131	30,00(1,181)	35,00(1,378)	33,60(1,323)
14	2522-2141	32,50(1,280)	37,50(1,476)	36,10(1,421)
15	2522-2151	35,00(1,378)	40,00(1,575)	38,60(1,520)
16	2522-2161	37,50(1,476)	42,50(1,673)	41,10(1,618)
17	2522-2171	40,00(1,575)	45,00(1,772)	43,60(1,717)
18	2522-2181	42,50(1,673)	47,50(1,870)	46,10(1,815)
19	2522-2191	45,00(1,772)	50,00(1,969)	48,60(1,913)
20	2522-2201	47,50(1,870)	52,50(2,067)	51,10(2,012)