

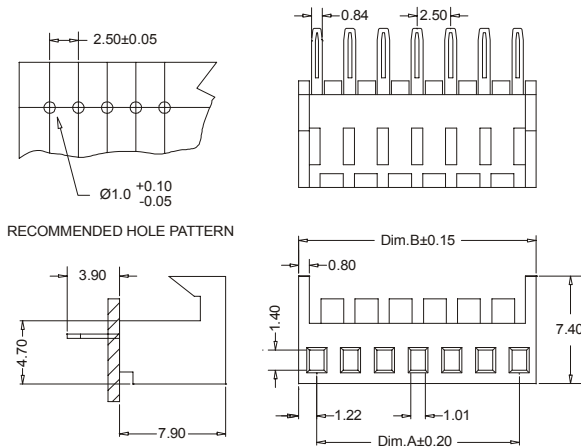
FEMALE STRAIGHT PCB SOCKET

2496 SERIES 2.50mm (0.098") For PCB solder

Features

- Available in 2 through 25 circuits
- Mates with 2516, 2517, 2503 and 2504 serie
- Material : nylon 6/6 UL 94V-0
- 0.64 mm square pin
- Tin plating terminal

Dimensional information:



Ordering and dimensional information:

| Circuit Size | Part Number | Dimensions | |
|--------------|------------------|--------------|--------------|
| | | A | B |
| 02 | 2496-2021 | 2,50(0,098) | 5,00(0,197) |
| 03 | 2496-2031 | 5,00(0,197) | 7,50(0,295) |
| 04 | 2496-2041 | 7,50(0,295) | 10,00(0,394) |
| 05 | 2496-2051 | 10,00(0,394) | 12,50(0,492) |
| 06 | 2496-2061 | 12,50(0,492) | 15,00(0,591) |
| 07 | 2496-2071 | 15,00(0,591) | 17,50(0,689) |
| 08 | 2496-2081 | 17,50(0,689) | 20,00(0,787) |
| 09 | 2496-2091 | 20,00(0,787) | 22,50(0,886) |
| 10 | 2496-2101 | 22,50(0,886) | 25,00(0,984) |
| 11 | 2496-2111 | 25,00(0,984) | 27,50(1,083) |
| 12 | 2496-2121 | 27,50(1,083) | 30,00(1,181) |
| 13 | 2496-2131 | 30,00(1,181) | 32,50(1,280) |
| 14 | 2496-2141 | 32,50(1,280) | 35,00(1,378) |
| 15 | 2496-2151 | 35,00(1,378) | 37,50(1,476) |
| 16 | 2496-2161 | 37,50(1,476) | 40,00(1,575) |
| 17 | 2496-2171 | 40,00(1,575) | 42,50(1,673) |
| 18 | 2496-2181 | 42,50(1,673) | 45,00(1,772) |
| 19 | 2496-2191 | 45,00(1,772) | 47,50(1,870) |
| 20 | 2496-2201 | 47,50(1,870) | 50,00(1,969) |
| 21 | 2496-2211 | 50,00(1,969) | 52,50(2,067) |
| 22 | 2496-2221 | 52,50(2,067) | 55,00(2,165) |
| 23 | 2496-2231 | 55,00(2,165) | 57,50(2,264) |
| 24 | 2496-2241 | 57,50(2,264) | 60,00(2,362) |
| 25 | 2496-2251 | 60,00(2,362) | 62,50(2,461) |