

SINGLE ROW POLARISING R/ ANGLE HEADER

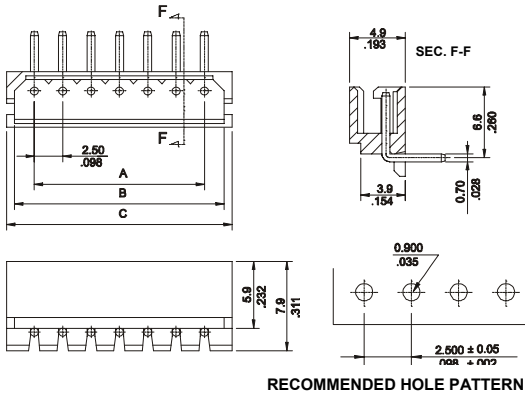


2537 SERIES 2.50mm (0.098") For PCB solder

Features

- Available in 2 through 15 circuits
- Mates with 2535 series socket
- Contact: Brass.
- Insulator Material: Nylon 6/6 UL 94V-0
- 0.70 mm(0.028") round pin
- Plating: Tin plated
- Friction lock
- Low profile

Dimensional Information



Ordering and Dimensional Information

Circuit Size	Part Number	Dimensions		
		A	B	C
02	2537-2022	2,50(0,098)	6,00(0,236)	7,40(0,291)
03	2537-2032	5,00(0,197)	8,50(0,335)	9,90(0,390)
04	2537-2042	7,50(0,295)	11,00(0,433)	12,40(0,488)
05	2537-2052	10,00(0,394)	13,50(0,531)	14,90(0,587)
06	2537-2062	12,50(0,492)	16,00(0,630)	17,40(0,685)
07	2537-2072	15,00(0,591)	18,50(0,728)	19,90(0,783)
08	2537-2082	17,50(0,689)	21,00(0,827)	22,40(0,882)
09	2537-2092	20,00(0,787)	23,50(0,925)	24,90(0,980)
10	2537-2102	22,50(0,886)	26,00(1,024)	27,40(1,079)
11	2537-2112	25,00(0,984)	28,50(1,122)	29,90(1,177)
12	2537-2122	27,50(1,083)	31,00(1,220)	32,40(1,276)
13	2537-2132	30,00(1,181)	33,50(1,319)	34,90(1,374)
14	2537-2142	32,50(1,280)	36,00(1,417)	37,40(1,472)
15	2537-2152	35,00(1,378)	38,50(1,516)	39,90(1,571)