

# 2.00mm DUAL ROW PCB CONNECTOR



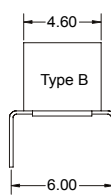
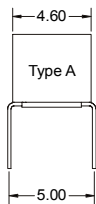
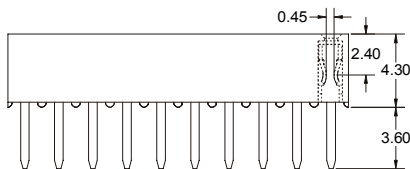
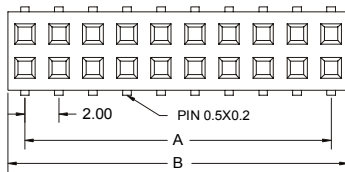
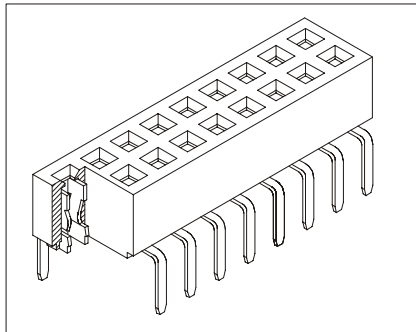
## 2172 SERIES 2.00mm (0.079") PCB Solder

### Features

- Available in 6 through 80 circuits
- Material: Nylon 6-T UL 94V-0
- Mates with 2.00mm pitch and 0.50mm pin headers
- Low profile and high density PCB socket
- Height: 4.30mm
- Different plating options are available
- High quality dual beam phosphor bronze contacts
- Designed for board to board small spacing interconnection

### Dimensional Information

### Ordering and Dimensional Information



Circuit Size	Part Number		Dimensions	
	Type A	Type B	A	B
06	2172 - T061	2172 -T062	4,00(0,157)	6,40(0,252)
08	2172- T081	2172- T082	6,00(0,236)	8,40(0,331)
10	2172- T101	2172- T102	8,00(0,315)	10,40(0,409)
12	2172- T121	2172- T122	10,00(0,394)	12,40(0,488)
14	2172- T141	2172- T142	12,00(0,472)	14,40(0,567)
16	2172- T161	2172- T162	14,00(0,551)	16,40(0,646)
18	2172- T181	2172- T182	16,00(0,630)	18,40(0,724)
20	2172- T201	2172- T202	18,00(0,709)	20,40(0,803)
22	2172- T221	2172- T222	20,00(0,787)	22,40(0,882)
24	2172- T241	2172- T242	22,00(0,866)	24,40(0,961)
26	2172- T261	2172- T262	24,00(0,945)	26,40(1,039)
28	2172- T281	2172- T282	26,00(1,024)	28,40(1,118)
30	2172- T301	2172- T302	28,00(1,102)	30,40(1,197)
32	2172- T321	2172- T322	30,00(1,181)	32,40(1,276)
34	2172- T341	2172- T342	32,00(1,260)	34,40(1,354)
36	2172- T361	2172- T362	34,00(1,339)	36,40(1,433)
38	2172- T381	2172- T382	36,00(1,417)	38,40(1,512)
40	2172- T401	2172- T402	38,00(1,496)	40,40(1,591)
42	2172- T421	2172- T422	40,00(1,575)	42,40(1,669)
44	2172- T441	2172- T442	42,00(1,654)	44,40(1,748)
46	2172- T461	2172- T462	44,00(1,732)	46,40(1,827)
48	2172- T481	2172- T482	46,00(1,811)	48,40(1,906)
50	2172- T501	2172- T502	48,00(1,890)	50,40(1,984)
52	2172- T521	2172- T522	50,00(1,969)	52,40(2,063)
54	2172- T541	2172- T542	52,00(2,047)	54,40(2,142)
56	2172- T561	2172- T562	54,00(2,126)	56,40(2,220)
58	2172- T581	2172- T582	56,00(2,205)	58,40(2,299)
60	2172- T601	2172- T602	58,00(2,283)	60,40(2,378)
62	2172- T621	2172- T622	60,00(2,362)	62,40(2,457)
64	2172- T641	2172- T642	62,00(2,441)	64,40(2,535)
66	2172- T661	2172- T662	64,00(2,520)	66,40(2,614)
68	2172- T681	2172- T682	66,00(2,598)	68,40(2,693)
70	2172- T701	2172- T702	68,00(2,677)	70,40(2,772)
72	2172- T721	2172- T722	70,00(2,756)	72,40(2,850)
74	2172- T741	2172- T742	72,00(2,835)	74,40(2,929)
76	2172- T761	2172- T762	74,00(2,913)	76,40(3,008)
78	2172- T781	2172- T782	76,00(2,992)	78,40(3,087)
80	2172- T801	2172- T802	78,00(3,071)	80,40(3,165)

### T = Contact Plating

- T = 2. Tin plated
- T = 3. Gold flash over 50µ" nickel  
Recommended Finish
- T = 5. 15µ" gold over 50µ" nickel
- T = 6. 30µ" gold over 50µ" nickel
- T = 13. Selective gold flash over 50µ" nickel
- T = 15. 15µ" selective gold over 50µ" nickel
- T = 16. 30µ" selective gold over 50µ" nickel

### RECOMMENDED HOLE PATTERN

