

# OPEN TOP LOW PROFILE JUMPERS

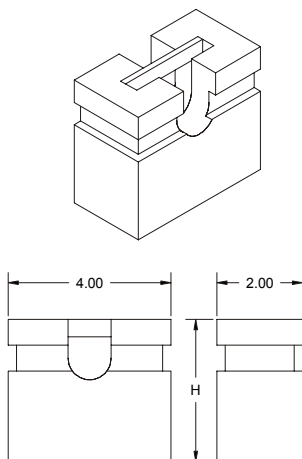


## 3051 - 3052 SERIES 2.00mm (0.079")

### Features

- Insulator Material: Glass Filled Polyester UL 94V-0
- Contact Material: Phosphor Bronze
- Different Plating Options Available
- Mates with 0.50mm (0.020") Square Pin

### Dimensional Information



### Ordering and Dimensional Information

Part Number		Finish
H = 3.50	H = 5.0	
3051 - 3020	3052 - 3020	Gold Flash over 1.27 $\mu$ Ni
3051 - 5020	3052 - 5020	0.38 $\mu$ Gold over 1.27 $\mu$ Ni.
3051 - 7020	3052 - 7020	1.27 $\mu$ Gold over 1.27 $\mu$ Ni.

