

# S/ ROW BREAKAWAY STRAIGHT HEADER

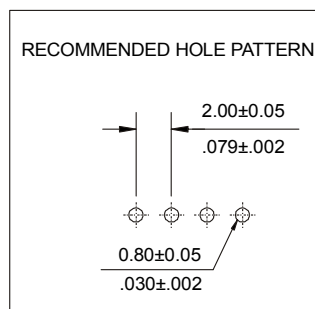
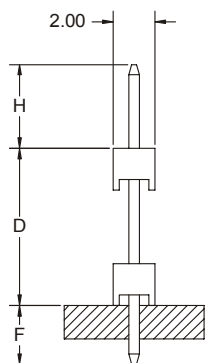
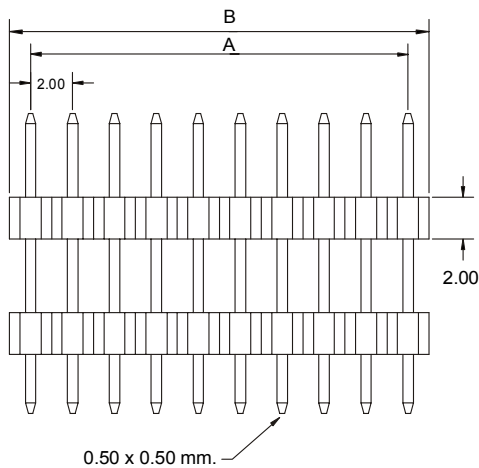
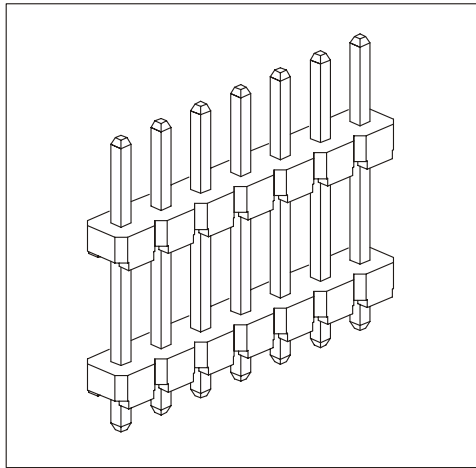


## 2036 SERIES 2.00mm (0.079") PCB Solder Double Body

### Features

- Available in 2 through 40 circuits
- Mates with 2.00mm single row housing and Socket
- Insulator Material: Glass filled polyester UL 94V-0
- 0.50mm square pin in copper alloy
- Different pin length and plating options are available
- Easy breakaway to desired circuits
- Stackable end to end
- For other options consult the Sales Office

### Dimensional Information



### Ordering and Dimensional Information

Circuit Size	Part Number	Dimensions	
		A	B
02	<b>2036-T02C</b>	2,00(0,079)	4,00(0,157)
03	<b>2036-T03C</b>	4,00(0,157)	6,00(0,236)
04	<b>2036-T04C</b>	6,00(0,236)	8,00(0,315)
05	<b>2036-T05C</b>	8,00(0,315)	10,00(0,394)
06	<b>2036-T06C</b>	10,00(0,394)	12,00(0,472)
07	<b>2036-T07C</b>	12,00(0,472)	14,00(0,551)
08	<b>2036-T08C</b>	14,00(0,551)	16,00(0,630)
09	<b>2036-T09C</b>	16,00(0,630)	18,00(0,709)
10	<b>2036-T10C</b>	18,00(0,709)	20,00(0,787)
11	<b>2036-T11C</b>	20,00(0,787)	22,00(0,866)
12	<b>2036-T12C</b>	22,00(0,866)	24,00(0,945)
13	<b>2036-T13C</b>	24,00(0,945)	26,00(1,024)
14	<b>2036-T14C</b>	26,00(1,024)	28,00(1,102)
15	<b>2036-T15C</b>	28,00(1,102)	30,00(1,181)
16	<b>2036-T16C</b>	30,00(1,181)	32,00(1,260)
17	<b>2036-T17C</b>	32,00(1,260)	34,00(1,339)
18	<b>2036-T18C</b>	34,00(1,339)	36,00(1,417)
19	<b>2036-T19C</b>	36,00(1,417)	38,00(1,496)
20	<b>2036-T20C</b>	38,00(1,496)	40,00(1,575)
21	<b>2036-T21C</b>	40,00(1,575)	42,00(1,654)
22	<b>2036-T22C</b>	42,00(1,654)	44,00(1,732)
23	<b>2036-T23C</b>	44,00(1,732)	46,00(1,811)
24	<b>2036-T24C</b>	46,00(1,811)	48,00(1,890)
25	<b>2036-T25C</b>	48,00(1,890)	50,00(1,969)
26	<b>2036-T26C</b>	50,00(1,969)	52,00(2,047)
27	<b>2036-T27C</b>	52,00(2,047)	54,00(2,126)
28	<b>2036-T28C</b>	54,00(2,126)	56,00(2,205)
29	<b>2036-T29C</b>	56,00(2,205)	58,00(2,283)
30	<b>2036-T30C</b>	58,00(2,283)	60,00(2,362)
31	<b>2036-T31C</b>	60,00(2,362)	62,00(2,441)
32	<b>2036-T32C</b>	62,00(2,441)	64,00(2,520)
33	<b>2036-T33C</b>	64,00(2,520)	66,00(2,598)
34	<b>2036-T34C</b>	66,00(2,598)	68,00(2,677)
35	<b>2036-T35C</b>	68,00(2,677)	70,00(2,756)
36	<b>2036-T36C</b>	70,00(2,756)	72,00(2,835)
37	<b>2036-T37C</b>	72,00(2,835)	74,00(2,913)
38	<b>2036-T38C</b>	74,00(2,913)	76,00(2,992)
39	<b>2036-T39C</b>	76,00(2,992)	78,00(3,071)
40	<b>2036-T40C</b>	78,00(3,071)	80,00(3,150)

### T = Plating Options

- T = 2. Tin plated
- T = 3. Gold flash over 30-50µ" nickel overall  
Recommended Finish
- T = 5. 15µ" gold over 30-50µ" nickel overall
- T = 6. 30µ" gold over 30-50µ" nickel overall
- T = 13. Selective gold flash over 30-50µ" nickel overall
- T = 15. 15µ" selective gold over 30-50µ" nickel overall
- T = 16. 30µ" selective gold over 30-50µ" nickel overall

### C = Pin Length

- C = 1. H = 4.00 mm. ; D = 7.50 mm. ; F = 2.80 mm.
- C = 2. H = 2.80 mm. ; D = 4.00 mm. ; F = 2.80 mm.
- C = 3. H = 4.00 mm. ; D = 14.00mm. ; F = 2.50 mm.
- C = 4. H = 4.00 mm. ; D = 6.00 mm. ; F = 2.80 mm.
- C = 5. H = 10.00 mm. ; D = 14.00 mm. ; F = 2.80 mm.