

POWER CRIMP TERMINAL



1083 SERIES AWG 18 – 24. Multi-contact

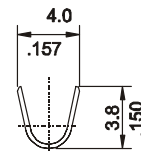
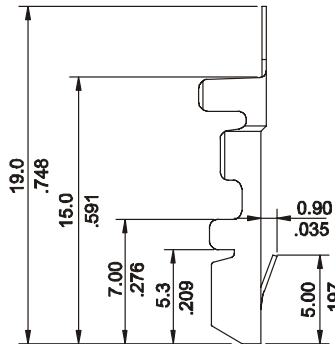
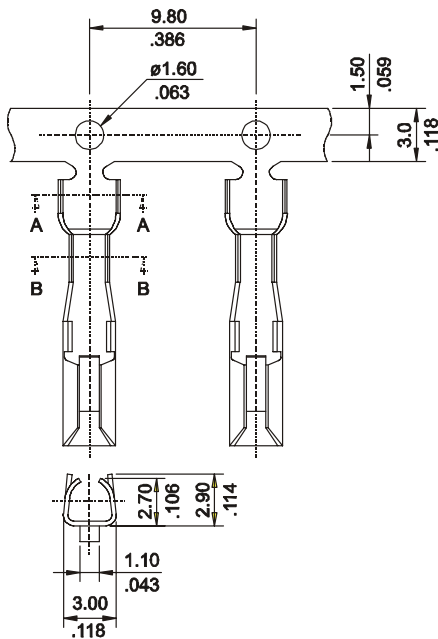
Features

- High current carrying capacity
- Wire ranges: AWG 18 - 24
- Material: Pre-nickel phosphor bronze
- Used in 1080 series Housing
- Mates with 2.36 mm (.093") round pin
- Multi-contact

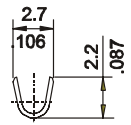
Dimensional Information

Ordering and Dimensional Information

Reel Quantity	Part Number	Material	Wire Ranges	Insulation Diameter
5,000Pcs (Reel)	1083 - 2000	Pre-nickel phosphor bronze	AWG 18 – 24	2.76(0.109) max.
Loose Piece	1083 - 2001	Pre-nickel phosphor bronze	AWG 18 – 24	2.76(0.109) max.



SEC.:A-A



SEC.:B-B