

14.80mm FOOTPRINT R/ANGLE D-SUB PLUG



8016 SERIES PCB Solder Right Angle D-Sub

Features

- Available in 9, 15, 25 and 37 Circuits
- Insulator Material: Glass Filled Polyester UL 94V-0
- Contact Material: Brass with different plating
- Shell: Steel, tin plated as standard
- Standard connector C = 1 (Riveted ground hooks with 4-40 UNC thread)
- For other options consult the Sales Office

Dimensional Information

Ordering and Dimensional Information

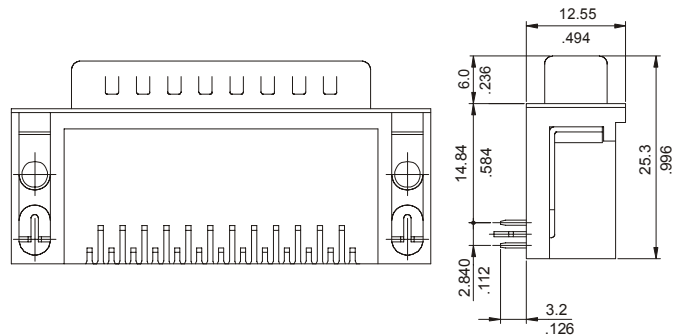
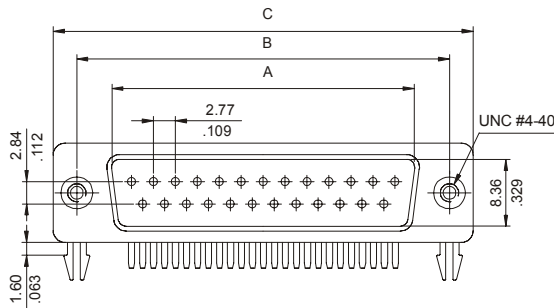
Circuit Size	Part Number	Dimensions			
		A	B	C	D
9	8016 - T09C	16.92 (0.666)	25.00 (0.984)	30.80 (1.213)	6.96 (0.274)
15	8016 - T15C	25.25 (0.994)	33.30 (1.311)	39.20 (1.543)	6.96 (0.274)
25	8016 - T25C	38.96 (1.534)	47.10 (1.854)	53.10 (2.091)	6.91 (0.272)
37	8016 - T37C	55.42 (2.182)	63.50 (2.500)	69.40 (2.732)	6.82 (0.289)

T = Contact Plating

- T = 3. Gold flash over 50µ" nickel
- T = 4. 10µ" gold over 50µ" nickel
- T = 5. 15µ" gold over 50µ" nickel
- T = 6. 30µ" gold over 50µ" nickel

C = Hardware Options

- C = 1. Riveted ground hooks pre-loaded 4.40 UNC Hex screws (standard)
- C = 0. Riveted ground hooks with 4.40 UNC thread



RECOMMENDED HOLE PATTERN

