

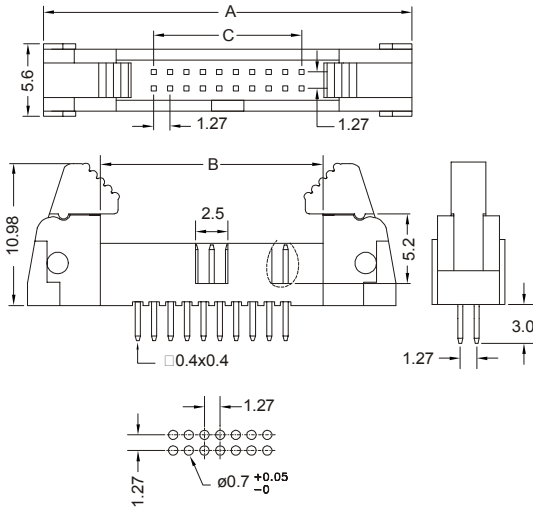
STRAIGHT HEADER WITH LATCHES

1346 SERIES 1.27 x 1.27mm (0.050 x 0.050") For PCB solder

Features

- Available in 10, 12, 14, 16, 20, 22, 26, 30, 34, 40, 44 and 50 circuits
- Insulator material: Nylon 6T UL 94V-0
- Mates with Female Socket 1341 series
- 0.40 x 0.40 mm square pin in phosphor bronze with different plating
- Polarised
- With Ejector Latches

Dimensional information:



Ordering and dimensional information:

Circuit Size	Part Number	Dimensions		
		A	B	C
10	1346 - T100	22.12 (0.871)	10.86 (0.427)	5.08 (0.200)
12	1346 - T120	23.39 (0.881)	12.13 (0.477)	6.35 (0.250)
14	1346 - T140	24.66 (0.971)	13.40 (0.527)	7.62 (0.300)
16	1346 - T160	25.93 (1.021)	14.67 (0.577)	8.89 (0.350)
20	1346 - T200	28.47 (1.121)	17.21 (0.677)	11.43 (0.450)
22	1346 - T220	29.74 (1.171)	18.48 (0.727)	12.70 (0.500)
26	1346 - T260	32.28 (1.271)	21.02 (0.827)	15.24 (0.600)
30	1346 - T300	34.82 (1.371)	23.56 (0.927)	17.78 (0.700)
34	1346 - T340	37.36 (1.471)	26.10 (1.027)	20.32 (0.800)
40	1346 - T400	41.17 (1.621)	29.91 (1.177)	24.13 (0.950)
44	1346 - T440	43.71 (1.721)	32.45 (1.277)	26.67 (1.050)
50	1346 - T500	47.52 (1.871)	36.26 (1.427)	30.48 (1.200)

T = Contact Plating

- T = 2. Tin plated
- T = 3. Gold flash over 50µ" nickel.
Recommended Finish
- T = 5. 15µ" gold over 50µ" nickel
- T = 6. 30µ" gold over 50µ" nickel

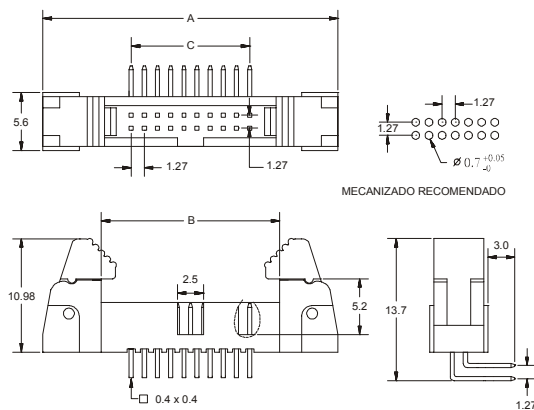
RIGHT ANGLE HEADER WITH LATCHES

1347 SERIES 1.27 x 1.27mm (0.050 x 0.050") For PCB solder

Features

- Available in 10, 12, 14, 16, 20, 22, 26, 30, 34, 40, 44 and 50 circuits
- Insulator material: Nylon 6T UL 94V-0
- Mates with Female Socket 1341 series
- 0.40 x 0.40 mm square pin in phosphor bronze with different plating
- Polarised
- With Ejector Latches

Dimensional information:



Ordering and dimensional information:

Circuit Size	Part Number	Dimensions		
		A	B	C
10	1347 - T100	22.12 (0.871)	10.86 (0.427)	5.08 (0.200)
12	1347 - T120	23.39 (0.881)	12.13 (0.477)	6.35 (0.250)
14	1347 - T140	24.66 (0.971)	13.40 (0.527)	7.62 (0.300)
16	1347 - T160	25.93 (1.021)	14.67 (0.577)	8.89 (0.350)
20	1347 - T200	28.47 (1.121)	17.21 (0.677)	11.43 (0.450)
22	1347 - T220	29.74 (1.171)	18.48 (0.727)	12.70 (0.500)
26	1347 - T260	32.28 (1.271)	21.02 (0.827)	15.24 (0.600)
30	1347 - T300	34.82 (1.371)	23.56 (0.927)	17.78 (0.700)
34	1347 - T340	37.36 (1.471)	26.10 (1.027)	20.32 (0.800)
40	1347 - T400	41.17 (1.621)	29.91 (1.177)	24.13 (0.950)
44	1347 - T440	43.71 (1.721)	32.45 (1.277)	26.67 (1.050)
50	1347 - T500	47.52 (1.871)	36.26 (1.427)	30.48 (1.200)

T = Contact Plating

- T = 2. Tin plated
- T = 3. Gold flash over 50µ" nickel.
Recommended Finish
- T = 5. 15µ" gold over 50µ" nickel
- T = 6. 30µ" gold over 50µ" nickel