

FEMALE IDC CONNECTOR FOR FLAT CABLE

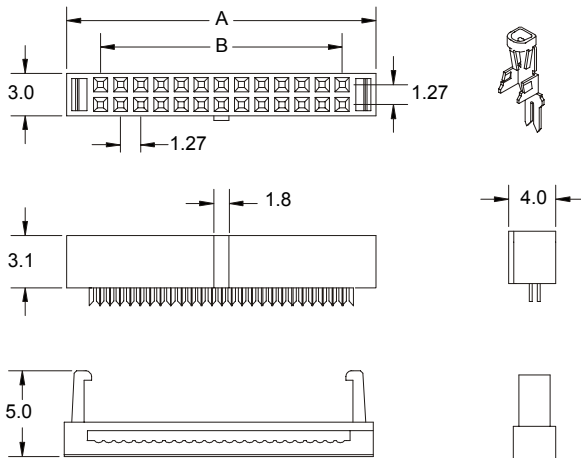


1341 SERIES 1.27 x 1.27mm (0.050 x 0.050")

Features

- Available in 10, 12, 14, 16, 20, 22, 26, 30, 34, 40, 44 and 50 circuits
- Mates with male headers 1.27 x 1.27mm. 1342, 1343, 1344, 1345, 1346 and 1347 series
- Insulator material: glass filled polyester UL 94V-0
- Contact: Beryllium Copper with different plating options
- Dielectric rigidity: 250V AC / 1 minute
- Flat cable 0.635mm 9063 and 9064 series

Dimensional information:



Ordering and dimensional information:

Circuit Size	Part Number	Dimensions	
		A	B
10	1341 - T100	10.50 (0.413)	5.08 (0.200)
12	1341 - T120	11.80 (0.464)	6.35 (0.250)
14	1341 - T140	13.10 (0.515)	7.62 (0.300)
16	1341 - T160	14.30 (0.563)	8.89 (0.350)
20	1341 - T200	16.90 (0.665)	11.43 (0.450)
22	1341 - T220	18.10 (0.712)	12.70 (0.500)
26	1341 - T260	20.70 (0.815)	15.24 (0.600)
30	1341 - T300	23.30 (0.917)	17.78 (0.700)
34	1341 - T340	25.80 (1.015)	20.32 (0.800)
40	1341 - T400	29.60 (1.165)	24.13 (0.950)
44	1341 - T440	32.10 (1.264)	26.67 (1.050)
50	1341 - T500	35.90 (1.413)	30.48 (1.200)

T = Contact Plating

- T = 2. Tin plated
- T = 3. Gold flash over 50µ" nickel. Recommended Finish
- T = 5. 15µ" gold over 50µ" nickel
- T = 6. 30µ" gold over 50µ" nickel

STRAIGHT POLARISED HEADER

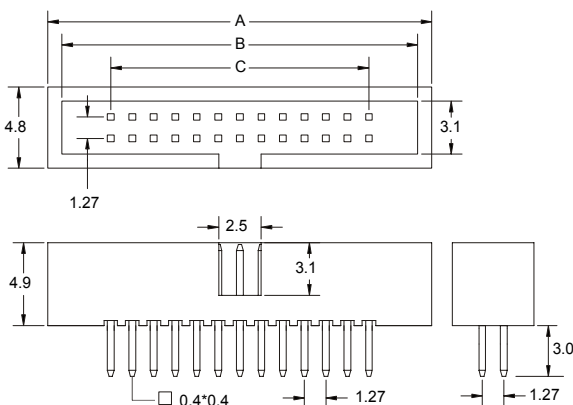


1342 SERIES 1.27 x 1.27mm (0.050 x 0.050") Low profile

Features

- Available in 10, 12, 14, 16, 20, 22, 26, 30, 34, 40, 44 and 50 circuits
- Mates with Female Socket 1.27 x 1.27mm 1341 series
- Phosphor bronze terminal with different plating
- Insulator material: glass filled polyester UL 94V-0
- Polarised

Dimensional information:



Ordering and dimensional information:

Circuit Size	Part Number	Dimensions		
		A	B	C
10	1342 - T100	12.50 (0.492)	10.85 (0.426)	5.08 (0.200)
12	1342 - T120	13.78 (0.542)	12.12 (0.477)	6.35 (0.250)
14	1342 - T140	15.05 (0.592)	13.39 (0.527)	7.62 (0.300)
16	1342 - T160	16.32 (0.642)	14.66 (0.577)	8.89 (0.350)
20	1342 - T200	18.86 (0.742)	17.20 (0.677)	11.43 (0.450)
22	1342 - T220	20.13 (0.792)	18.47 (0.727)	12.70 (0.500)
26	1342 - T260	22.67 (0.892)	21.01 (0.827)	15.24 (0.600)
30	1342 - T300	25.21 (0.992)	23.55 (0.927)	17.78 (0.700)
34	1342 - T340	27.75 (1.092)	26.09 (1.027)	20.32 (0.800)
40	1342 - T400	31.56 (1.242)	29.90 (1.177)	24.13 (0.950)
44	1342 - T440	34.10 (1.342)	32.44 (1.277)	26.67 (1.050)
50	1342 - T500	37.91 (1.492)	36.25 (1.427)	30.48 (1.200)

T = Contact Plating

- T = 2. Tin plated
- T = 3. Gold flash over 50µ" nickel. Recommended Finish
- T = 5. 15µ" gold over 50µ" nickel
- T = 6. 30µ" gold over 50µ" nickel