

FEMALE HEADER FOR FLAT CABLE

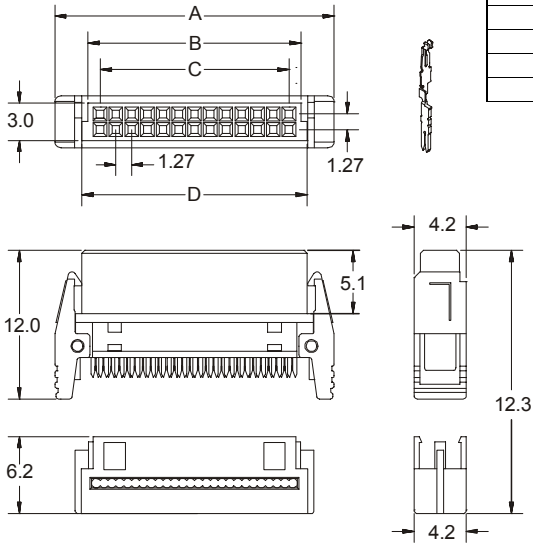
1335 SERIES 1.27 x 1.27mm (0.050 x 0.050")

Features

- Available in 12, 26, 50, 68 and 80 circuits
- Mates with male headers 1.27 x 1.27 mm 1336, 1337 and 1338 series
- Insulator material: glass filled UL 94V-0
- Phosphor bronze terminal
- Available in different plating
- Dielectric rigidity: 250V AC / 1 minute
- Flat cable 0.635 mm assembly 9063 / 9064 serie

Dimensional information:

Ordering and dimensional information:



Circuit Size	Part Number	Dimensions			
		A	B	C	D
12	1335 - T120	12.69 (0.500)	8.30 (0.327)	6.35 (0.250)	9.30 (0.366)
26	1335 - T260	21.58 (0.850)	17.19 (0.677)	15.24 (0.600)	18.19 (0.716)
50	1335 - T500	36.82 (1.450)	32.43 (1.277)	30.48 (1.200)	33.43 (1.316)
68	1335 - T680	48.25 (1.900)	43.86 (1.727)	41.91 (1.650)	44.86 (1.766)
80	1335 - T800	55.87 (2.200)	51.48 (2.027)	49.53 (1.950)	52.48 (2.066)

T = Contact Plating

- T = **2.** Tin plated
- T = **3.** Gold flash over 50µ" nickel.
Recommended Finish
- T = **5.** 15µ" gold over 50µ" nickel
- T = **6.** 30µ" gold over 50µ" nickel