

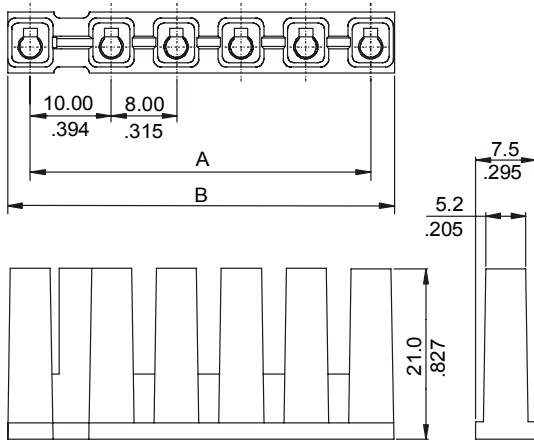
10.00/8.00mm CRIMP TYPE SOCKET

1080 SERIES 10.00 – 8.00mm (0.393” – 0.314”) Crimp Type Socket

Features

- Available in 1 through 6 circuits
- Material: Nylon 6/6 UL 94V-0
- Mates with 2.36mm round pin
- Mates with 1081 series header
- Accepts 1083 crimp terminal
- With moulded pull tab

Dimensional Information



Ordering and Dimensional Information

Circuit Size	Part Number	Dimensions	
		A	B
01	1080-2011	-	5.50 (0.217)
02	1080-2021	10.00 (0.394)	15.50 (0.610)
03	1080-2031	18.00 (0.709)	23.50 (0.925)
04	1080-2041	26.00 (1.024)	31.50 (1.240)
05	1080-2051	34.00 (1.339)	39.50 (1.555)
06	1080-2061	42.00 (1.654)	47.50 (1.870)

POWER CRIMP TERMINAL

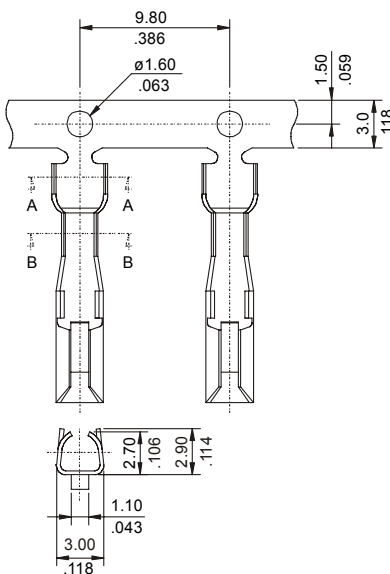
1083 SERIES AWG 18–24. Multi-Contact

Features

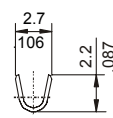
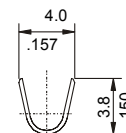
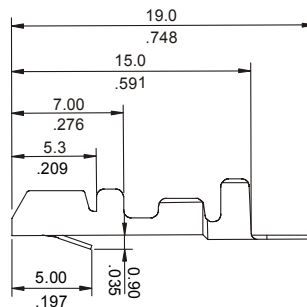
- High current carrying capacity
- Wire ranges: AWG 18 - 24
- Material: Pre-nickel phosphor bronze
- Used in 1080 series housing
- Mates with 2.36mm (.093") round pin
- Multi-contact

Dimensional Information

Ordering and Dimensional Information



Reel Quantity	Part Number	Material	Wire Ranges	Insulation Diameter
5,000Pcs (Reel)	1083 - 2000	Pre-nickel phosphor bronze	AWG 18 – 24	2.76(0.109) max.
Loose Piece	1083 - 2001	Pre-nickel phosphor bronze	AWG 18 – 24	2.76(0.109) max.



SEC.:A-A

SEC.:B-B