

# STRAIGHT MICRO POWER CONNECTOR PCB

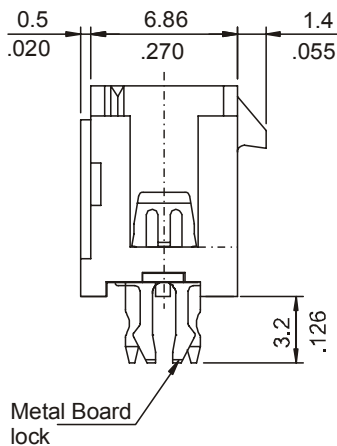
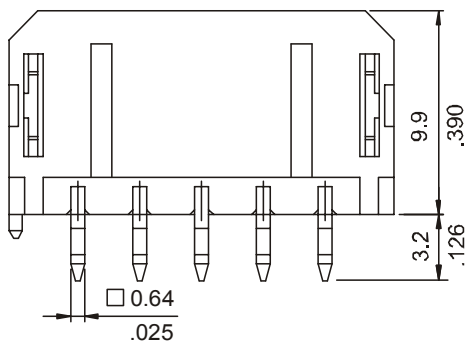
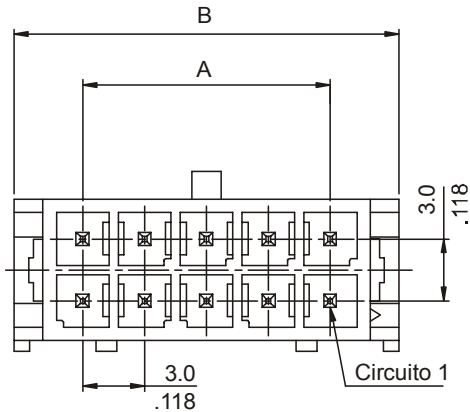


## 5757 SERIES. Pitch 3.00 mm. (0.118"). High current / High density.

### Features

- Available in 2 to 24 circuits
- Insulator Material: Nylon 6T, black colour; UL 94V-0
- Mates with 5740 series housing
- With metal board lock
- Contact Material: Brass of 0.64 mm square wire; Tin plating as standard
- Max. Current rating: 5 A
- For further options contact our Sales Department

### Dimensional Information



### Ordering and dimensional Information

Circuits	Part Number	Dimensions	
		A	B
2	5757 - T021	-	6.70 (.264)
4	5757 - T041	3.00 (.118)	9.70 (.382)
6	5757 - T061	6.00 (.236)	12.70 (.500)
8	5757 - T081	9.00 (.354)	15.70 (.618)
10	5757 - T101	12.00 (.472)	18.70 (.657)
12	5757 - T121	15.00 (.591)	21.70 (.854)
14	5757 - T141	18.00 (.709)	24.70 (.972)
16	5757 - T161	21.00 (.827)	27.70 (1.091)
18	5757 - T181	24.00 (.945)	30.70 (1.209)
20	5757 - T201	27.00 (1.063)	33.70 (1.327)
22	5757 - T221	30.00 (1.181)	36.70 (1.445)
24	5757 - T241	33.00 (1.299)	39.70 (1.563)

### T = Plating Options

- T = 2. Tin plated (RECOMMENDED FINISH)

