

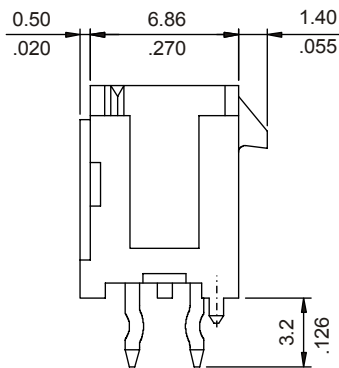
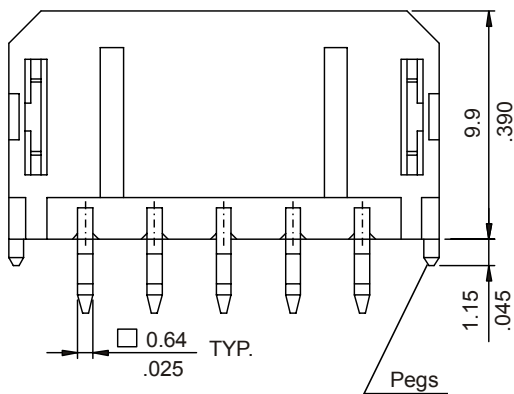
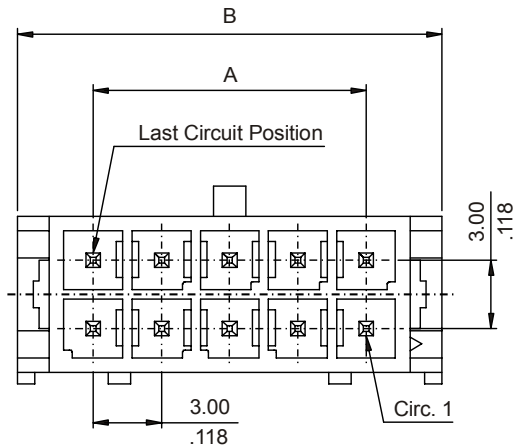
# 3.00mm MICRO POWER STRAIGHT HEADER

## 5745 SERIES. 3.00mm(0.118"). For High Current / High Density

### Features

- Available in 2 through 24 circuits
- Insulator Material: Nylon 6T UL 94V-0, Colour: Black
- Contact Material: Brass
- Mates with 5740 series housing
- Positive lock
- Different plating options are available
- Current Rating: 5 A maximum
- For SMT options consult the Sales Office

### Dimensional Information



### Ordering and Dimensional Information

Circuit Size	Part Number	Dimensions	
		A	B
2	5745 - T021	-	6.70 (.264)
4	5745 - T041	3.00 (.118)	9.70 (.382)
6	5745 - T061	6.00 (.236)	12.70 (.500)
8	5745 - T081	9.00 (.354)	15.70 (.618)
10	5745 - T101	12.00 (.472)	18.70 (.657)
12	5745 - T121	15.00 (.591)	21.70 (.854)
14	5745 - T141	18.00 (.709)	24.70 (.972)
16	5745 - T161	21.00 (.827)	27.70 (1.091)
18	5745 - T181	24.00 (.945)	30.70 (1.209)
20	5745 - T201	27.00 (1.063)	33.70 (1.327)
22	5745 - T221	30.00 (1.181)	36.70 (1.445)
24	5745 - T241	33.00 (1.299)	39.70 (1.563)

### T = Contact Plating

- T = 2. Tin plated.  
Recommended Finish
- T = 3. Gold flash over 50µ" nickel.
- T = 5. 15µ" gold over 50µ" nickel
- T = 6. 30µ" gold over 50µ" nickel

