

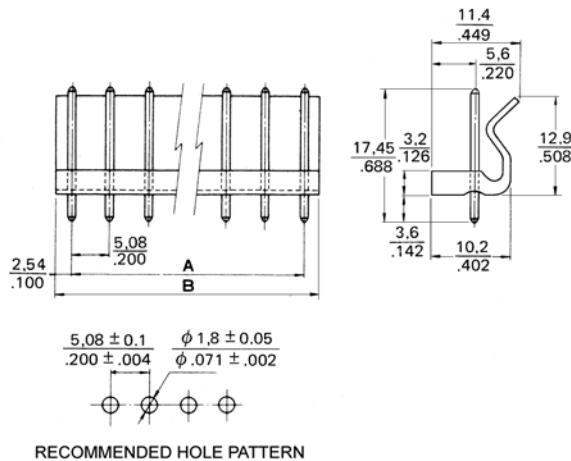
# SINGLE ROW STRAIGHT POLARISED HEADER

## 5082 SERIES 5.08mm (0.200") Square Pin. For PCB Solder

### Features

- Available in 2 through 12 circuits
- Insulation Material: Nylon 6/6 UL 94V-2
- 1.14mm(.045") square pin in copper alloy
- Mates with 5080, 5081, 1507 and 1508 series socket
- Polarised with friction lock
- Pin omit options are available
- For **GWT** option (Glow Wire Test Approval), please Add **E** at the end of Part Number (Example: 5082-XXXXE)

### Dimensional Information



### Ordering and Dimensional Information

| Circuit Size | Part Number      | Dimensions   |              |
|--------------|------------------|--------------|--------------|
|              |                  | A            | B            |
| 02           | <b>5082-2021</b> | 5,08(0,200)  | 10,16(0,400) |
| 03           | <b>5082-2031</b> | 10,16(0,400) | 15,24(0,600) |
| 04           | <b>5082-2041</b> | 15,24(0,600) | 20,32(0,800) |
| 05           | <b>5082-2051</b> | 20,32(0,800) | 25,40(1,000) |
| 06           | <b>5082-2061</b> | 25,40(1,000) | 30,48(1,200) |
| 07           | <b>5082-2071</b> | 30,48(1,200) | 35,56(1,400) |
| 08           | <b>5082-2081</b> | 35,56(1,400) | 40,64(1,600) |
| 09           | <b>5082-2091</b> | 40,64(1,600) | 45,72(1,800) |
| 10           | <b>5082-2101</b> | 45,72(1,800) | 50,80(2,000) |
| 11           | <b>5082-2111</b> | 50,80(2,000) | 55,88(2,200) |
| 12           | <b>5082-2121</b> | 55,88(2,200) | 60,96(2,400) |

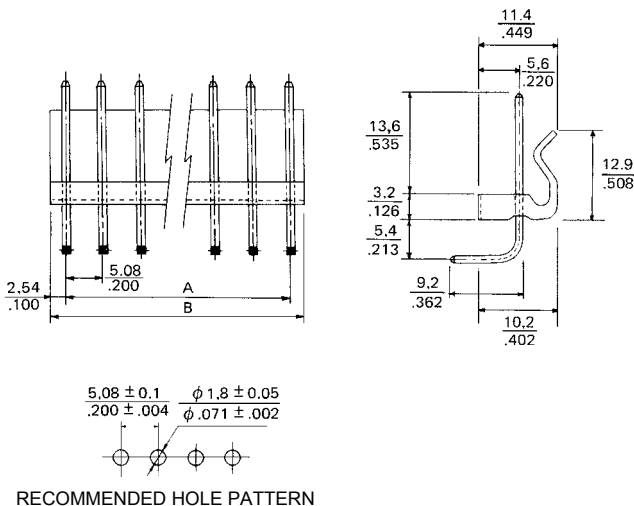
# SINGLE ROW R/ANGLE POLARISED HEADER

## 5083 SERIES 5.08mm (0.200") Square Pin. For PCB Solder

### Features

- Available in 2 through 12 circuits
- Insulation Material: Nylon 6/6 UL 94V-2
- 1.14mm(.045") square pin in copper alloy
- Mates with 5080, 5081, 1507 and 1508 series socket
- Polarised with friction lock
- Pin omit options are available
- For **GWT** option (Glow Wire Test Approval), please Add **E** at the end of Part Number (Example: 5083-XXXXE)

### Dimensional Information



### Ordering and Dimensional Information

| Circuit Size | Part Number      | Dimensions   |              |
|--------------|------------------|--------------|--------------|
|              |                  | A            | B            |
| 02           | <b>5083-2021</b> | 5,08(0,200)  | 10,16(0,400) |
| 03           | <b>5083-2031</b> | 10,16(0,400) | 15,24(0,600) |
| 04           | <b>5083-2041</b> | 15,24(0,600) | 20,32(0,800) |
| 05           | <b>5083-2051</b> | 20,32(0,800) | 25,40(1,000) |
| 06           | <b>5083-2061</b> | 25,40(1,000) | 30,48(1,200) |
| 07           | <b>5083-2071</b> | 30,48(1,200) | 35,56(1,400) |
| 08           | <b>5083-2081</b> | 35,56(1,400) | 40,64(1,600) |
| 09           | <b>5083-2091</b> | 40,64(1,600) | 45,72(1,800) |
| 10           | <b>5083-2101</b> | 45,72(1,800) | 50,80(2,000) |
| 11           | <b>5083-2111</b> | 50,80(2,000) | 55,88(2,200) |
| 12           | <b>5083-2121</b> | 55,88(2,200) | 60,96(2,400) |